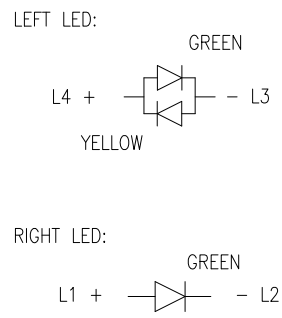
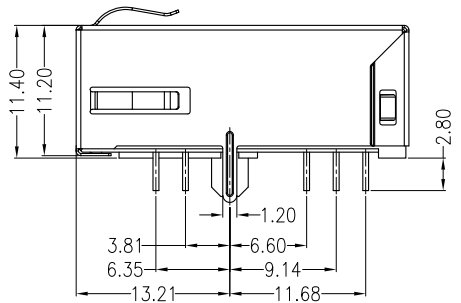
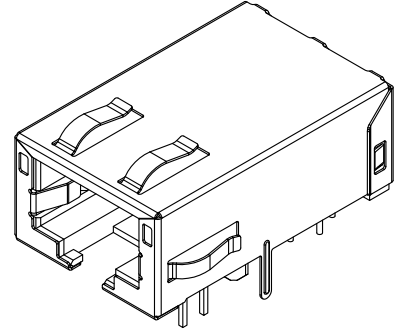
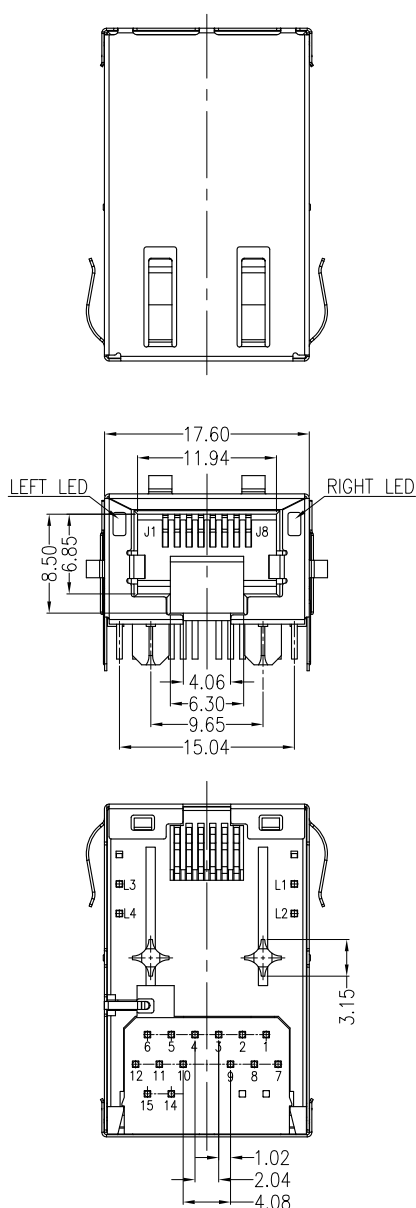
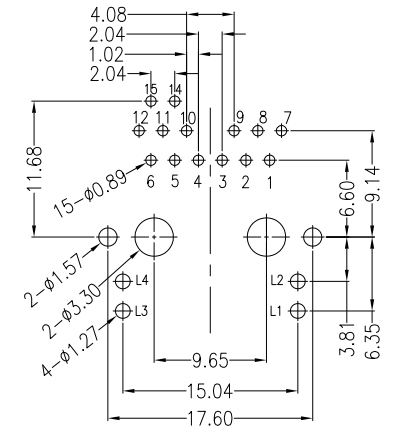


1. MECHANICAL DIMENSIONS :



2. PCB LAYOUT :



PCB LAYOUT TOLERANCE:±0.05
(TOP VIEW)

NOTES:

- MATERIAL:
HOUSING:LCP,BLACK,UL 94V-0
CONTACT:PHOSPHOR BRONZE,T=0.30mm.
SHELL:BRASS,T=0.20mm.
- FINISH:
CONTACT:50u"MIN. NICKEL UNDERPLATING ALL AREA,
100u"MIN. TIN ON SOLDERTAILS,
15u' MIN GOLD PLATING ON CONTACT AREA .
SHELL:30u"MIN. NICKEL PRE-PLATING ALL AREA.
- OPERATING TEMPERATURE:0°C~+70°C.
- JACK CAVITY CONFORMS TO FCC RULES AND REGULATIONS PART 68, SUBPART F

REV.	ECN. NO.	DRAWN	DATE	EC.content
A.0	NEW	LIJIN	06/27/2017	



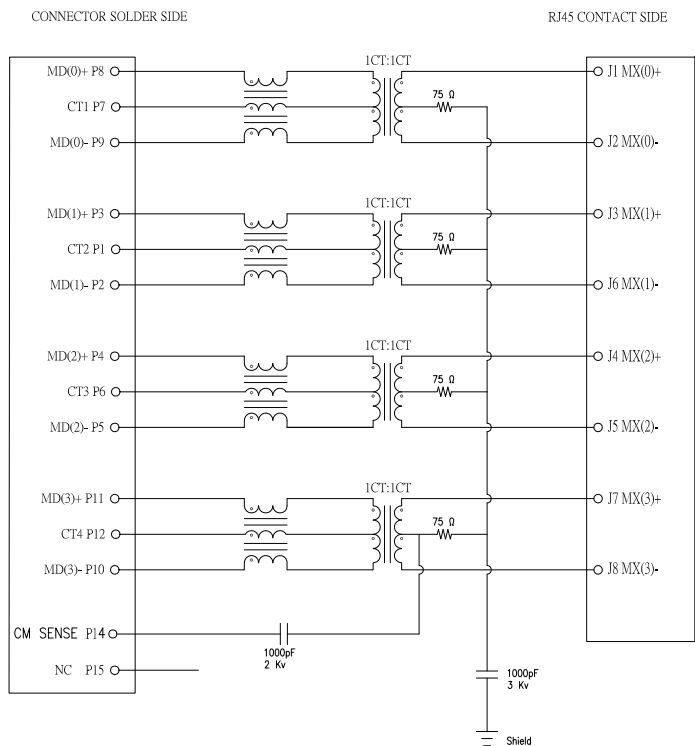
⊗: QUALITY CONTROL ITEM	GENERAL TOLERANCE .X± 0.38 X.'± 2' .XX± 0.25 .X'± 1' .XXX± 0.13	PART NO.: FDC-CA42358C8		
APPROVED		TITLE:RJ45 CONN W/ LED		
CHECKED		10G Base-T,FILTER		
DRAWN	UNIT: mm	SCALE: 1:1	SHEET: 1/2	REV.: A.0

說明: △:備註 ◇:版本變更 ①:尺寸序號 ■:重點尺寸 ▼:CPK尺寸

DOCUMENT NO. : ZER0013/A.3

SIZE: A4

3. SCHEMATIC:



E-CONN PART NO:

F D C - C A 4 23 5 8 C 8

SHELL CODE
ALL SPRING

HOUSING CODE
LCP, BLACK

LED COLOR OPTION
LEFT LED: GR/YE
RIGHT LED: GREEN

CIRCUIT TYPE

PLATING CODE
GOLD 15u"

4. ELECTRICAL CHARACTERISTICS:

TEST NOTES: (0°~70°C)

- TR: (100KHz, 0.1V); 100%
PINS: (P8, P9): (J1, J2)=1:1±3%; (P3, P2): (J3, J6)=1:1±3%
PINS: (P4, P5): (J4, J5)=1:1±3%; (P11, P10): (J7, J8)=1:1±3%
- LX: (100KHz, 100mV, 8mA, DC Bias) 100%
PINS: (P8, P9), (P3, P2)=160uH MINIMUM
PINS: (P4, P5), (P11, P10)=160uH MINIMUM
- DCR: 100%
PINS: (J1, J2), (J3, J6)=1.2 MAXIMUM
PINS: (J4, J5), (J7, J8)=1.2 MAXIMUM
- HIPOT: 100%
PINS (P8, P9) TO (J1, J2), (P3, P2) TO (J3, J6)=1500V AC FOR 60 SECONDS
PINS (P4, P5) TO (J1, J2), (P11, P10) TO (J3, J6)=1500V AC FOR 60 SECONDS
- INSERTION LOSS:
-0.7dB MAXIMUM AT 1MHz TO 200MHz;
-1.4dB MAXIMUM AT 200MHz TO 400MHz;
- RETURN LOSS:
-22dB MINIMUM AT 1MHz TO 100MHz;
-22+18.27*log(Freq MHz/100MHz) dB MINIMUM AT 100MHz TO 500MHz
- CROSS TALK:
-28dB MINIMUM AT 1MHz TO 100MHz
-19dB MINIMUM AT 100MHz TO 500MHz
- COMMON TO COMMON MODE REJECTION:
-30dB MINIMUM AT 1MHz TO 40MHz
-28dB MINIMUM AT 40MHz TO 100MHz
-26dB MINIMUM AT 100MHz TO 500MHz
- CM TO DM CONVERSION:
-30dB MINIMUM AT 1MHz TO 250MHz
-22dB MINIMUM AT 250MHz TO 500MHz

REV.	ECN. NO.	DRAWN	DATE	EC.content
A.0	NEW	LIJIN	06/27/2017	



⊗: QUALITY CONTROL ITEM		GENERAL TOLERANCE	PART NO.: FDC-CA42358C8		
APPROVED		.X± 0.38 X: ± 2'	TITLE: RJ45 CONN W/ LED 10G Base-T, FILTER		
CHECKED		.XX± 0.25 .X: ± 1'			
DRAWN		.XXX± 0.13	UNIT: mm	SCALE: 1:1	SHEET: 2/2
			REV.: A.0		

説明: △:備註 ◇:版本變更 ①:尺寸序號 ■:重點尺寸 ▼:CPK尺寸

DOCUMENT NO. : ZER0013/A.3

SIZE: A4