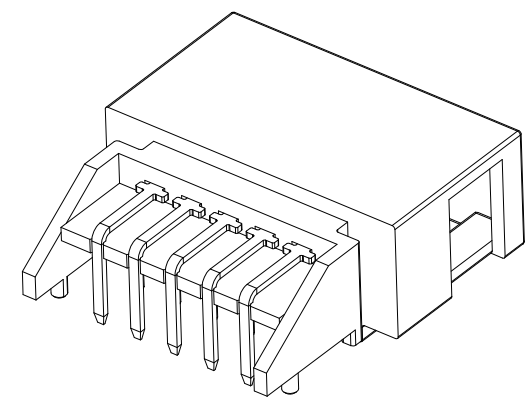
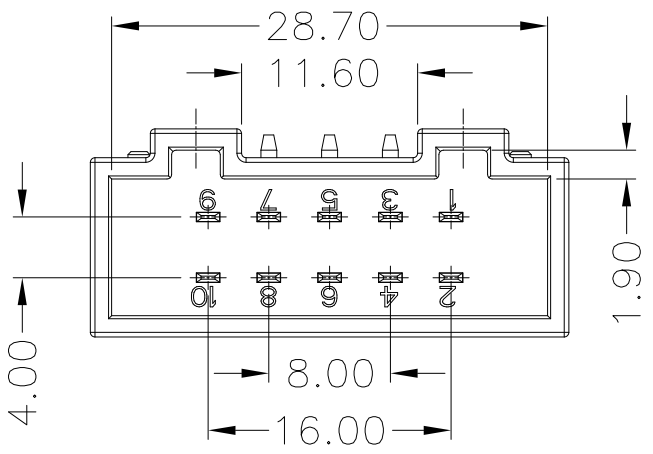


1 2 3 4 5 6 7 8

F



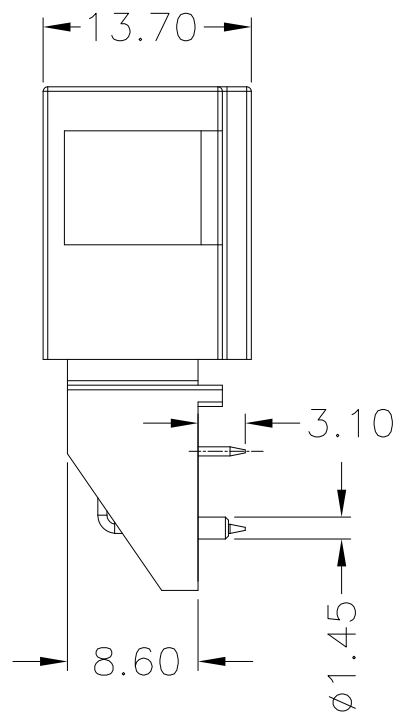
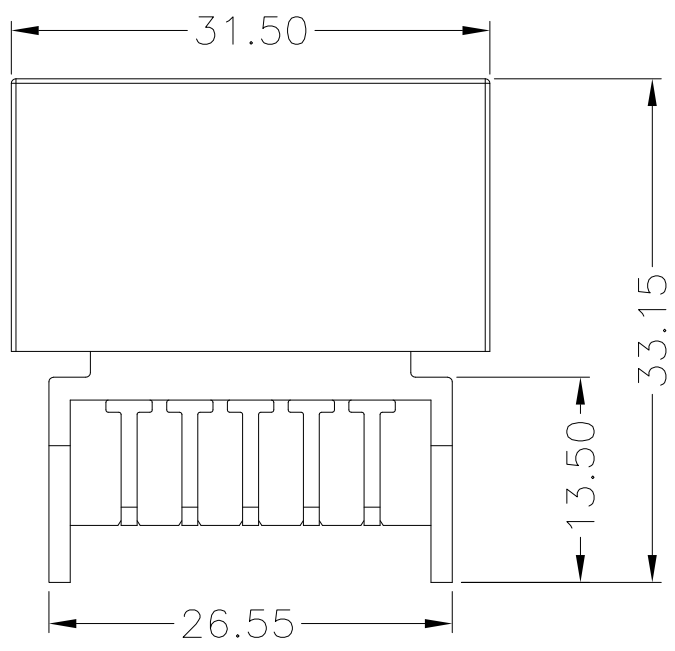
F

E

E

D

D



C

B

B

A

A

REV.	ECN. NO.	DRAWN	DATE	EC.content
XA	NEW	WangLei	11/21/2016	



⊗: QUALITY CONTROL ITEM APPROVED CHECKED DRAWN		GENERAL TOLERANCE .X± 0.38 X.'± 2' .XX± 0.25 .X'± 1' .XXX± 0.13	PART NO.: TITLE: 汽车连接器10pin成品
		UNIT: mm	SCALE: 1:1 SHEET: 1/1 REV.: XA

1 2 3 说明: △ :備註 ◇ :版本變更 ④ :尺寸序號 ■ :重點尺寸 ▼ :CPK尺寸 DOCUMENT NO. : ZER0013/A.3

SIZE: A4