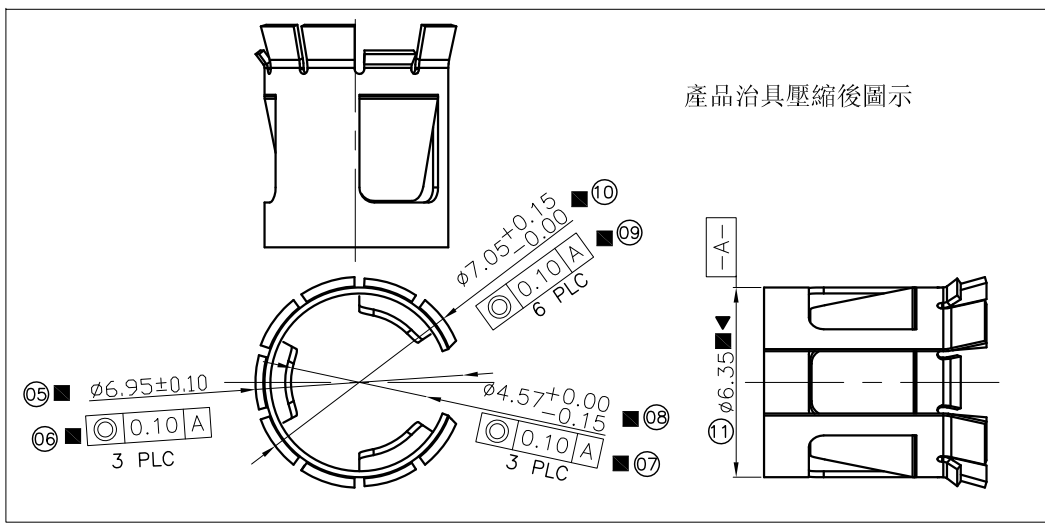
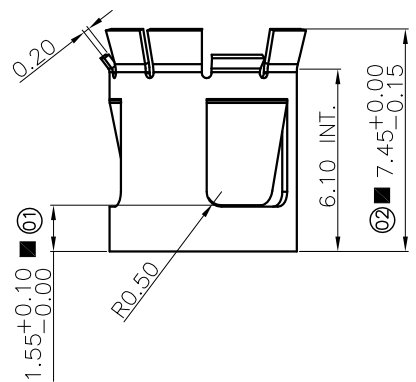


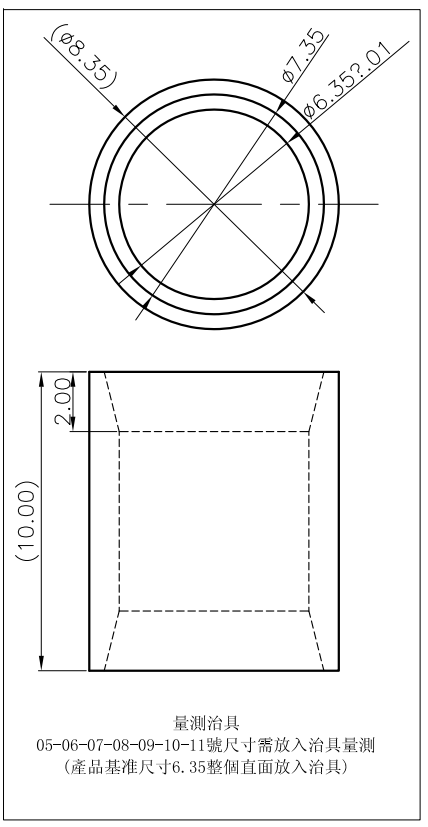
1 2 3 4 5 6 7 8

F  
E  
D  
C  
B  
A

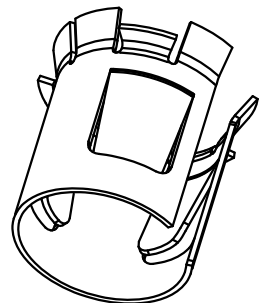
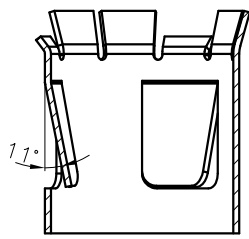
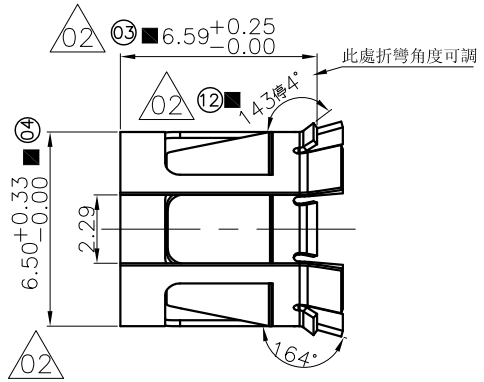
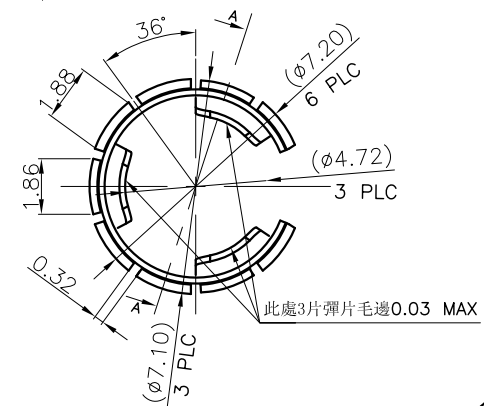
F  
E  
D  
C  
B  
A  
DIE ON: YK292  
SIZE: A4



產品治具壓縮後圖示



量測治具  
05-06-07-08-09-10-11號尺寸需放入治具量測  
(產品基準尺寸6.35整個直面放入治具)



NOTE:

1. 材質: 不銹鋼 SUS301-H, T=0.2±0.01
2. 毛邊: 0.05 MAX, 接觸區和焊錫區無毛邊
3. 料帶弧形: 5mm MAX/1000mm.
4. 扭曲: 45° MAX/1000mm.
5. 包裝前: 清洗
6. "■": 重點尺寸.
7. "▼": CPK 尺寸.
8. 模具: N0:C0314-A0.

REV.	ECN. NO.	DRAWN	DATE	EC.content
A	NEW	WuQiangYuan	05/19/17	-



⊗: QUALITY CONTROL ITEM		GENERAL TOLERANCE		PART NO.: 22-0221-EA	
APPROVED		.X± 0.10	X.'± 3'	TITLE: AC&DC冠簧	
CHECKED		.XX± 0.05	.X'± 3'		
DRAWN	吳強遠 17.05.19	.XXX± 0.03		UNIT: mm	SCALE: 1:1
				SHEET: 1/1	REV.: A