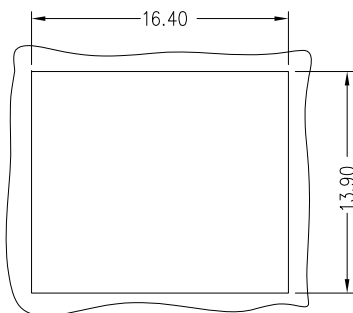
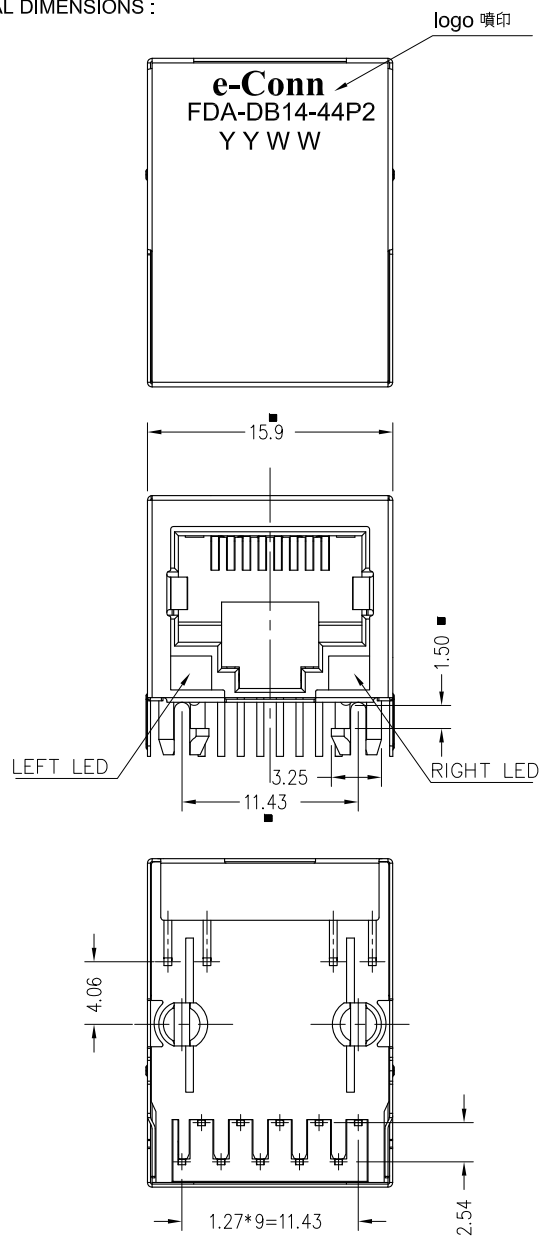
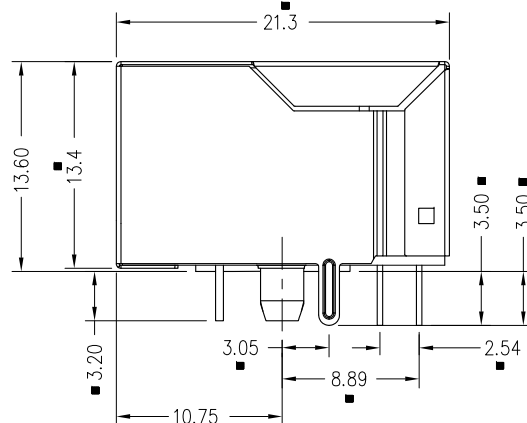


1. MECHANICAL DIMENSIONS :



RECOMMENDED  
PANEL CUTOUT DIMENSION

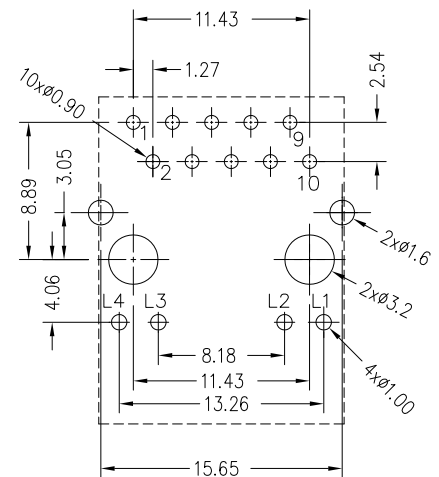


3. PCB LAYOUT :

LEFT LED:



RIGHT LED:



SUGGESTED PCB LAYOUT  
DIMENSIONAL TOLERANCE: .XX ±0.05[0.002]

NOTES:

1. MATERIALS:

HOUSING -PBT POLYESTER UL94V-0  
MIXED GLASS FIBER.  
STANDARD COLOR-BLACK.

CONTACTS -0.35mm THICK PHOS-BRONZE PLATED  
WITH 6u" GOLD AND TIN  
IN SOLDER AREA.

SHIELD-0.2mm THICK COPPER ALLOY,  
PLATED WITH NICKEL.

2. CAVITY CONFIRMS TO FCC RULES AND REGULATIONS  
PART 68,SUBPART F.

REV.	ECN. NO.	DRAWN	DATE	EC.content
A	NEW	LLDONG	03/29/2017	



⊗: QUALITY CONTROL ITEM		GENERAL TOLERANCE		PART NO.: FDA-DB14-44P2			
APPROVED		.X± 0.38	X.'± 2'	TITLE:RJ45,CONNECTORS,W/LED,10P8C 10/100,FILTER			
CHECKED		.XX± 0.25	.X'± 1'				
DRAWN		.XXX± 0.13		UNIT: mm	SCALE:1:1	SHEET: 1/3	REV.: A

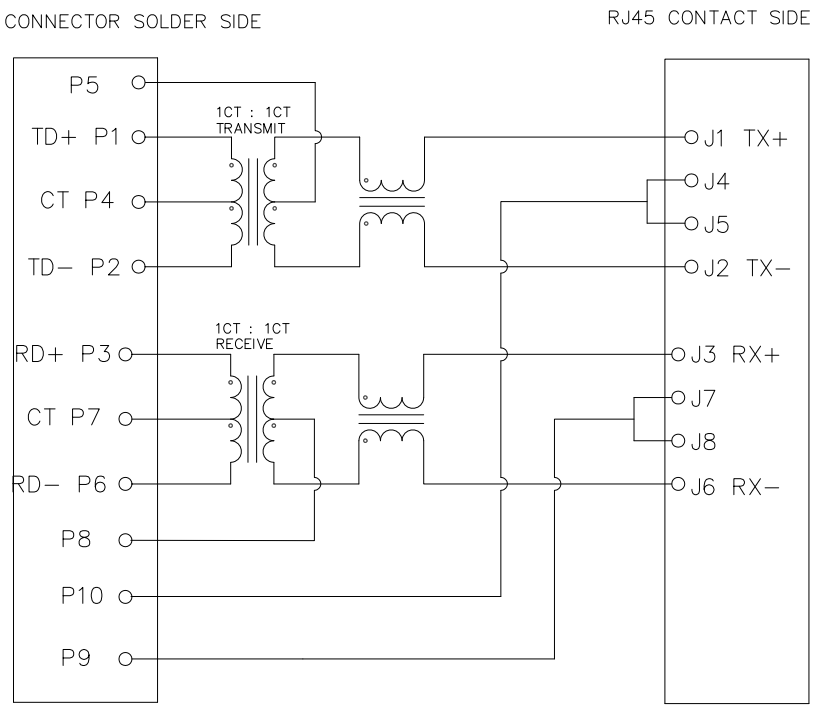
說明: △:備註 ◇:版本變更 ①:尺寸序號 ■:重點尺寸 ▼:CPK尺寸

DOCUMENT NO. : ZER0013/A.3

SIZE: A4

1 2 3 4 5 6 7 8

F  
E  
D  
C  
B  
A



**5. ELECTRICAL CHARACTERISTICS :**

- TEST NOTES: (25±5°C)
- TR: (100KHz, 0.1V); 100%  
PINS: (P1,P2): (J1,J2)=1:1±3%; (P3,P6): (J3,J6)=1:1±3%
  - LX: (100KHz, 100mV, 8mA, DC Bias) 100%  
PINS: (P1,P2), (P3,P6)=350uH MINIMUM
  - DCR: 100%  
PINS: (J1,J2), (J3,J6)=1.2Ω MAXIMUM
  - HIPOT: 100%  
PINS(P1,P2) TO (J1,J2), (P3,P4) TO (J3,J6)=1500VAC FOR 2 SECONDS
  - INSERTION LOSS:  
-1.0dB MAXIMUM AT 1MHz TO 100MHz;
  - RETURN LOSS:  
-20dB MINIMUM AT 1MHz TO 30MHz;  
-15dB MINIMUM AT 30MHz TO 60MHz  
-10dB MINIMUM AT 60MHz TO 80MHz
  - CROSS TALK:  
-30dB MINIMUM AT 1MHz TO 100MHz
  - COMMON TO COMMON MODE REJECTION:  
-30dB MINIMUM AT 1MHz TO 100MHz
  - Balanced DC LINE CURRENT:  
350mA MAX@48V DC CONTINUOUS

E-CONN PART NO:

F D A - D B 1 4 - 4 4 P 2

SHELL CODE \_\_\_\_\_  
HOUSING CODE \_\_\_\_\_  
LED COLOR OPTION \_\_\_\_\_  
CIRCUIT TYPE \_\_\_\_\_  
PLATING CODE \_\_\_\_\_

REV.	ECN. NO.	DRAWN	DATE	EC.content
A	NEW	LLDONG	03/29/2017	



⊗: QUALITY CONTROL ITEM		GENERAL TOLERANCE .X±0.38 X.*±2' .XX±0.25 .X.*±1' .XXX±0.13		PART NO.: FDA-DB14-44P2		
APPROVED				TITLE: RJ45, CONNECTORS, W/LED, 10P8C		
CHECKED				10/100, FILTER		
DRAWN		UNIT: mm		SCALE: 1:1	SHEET: 2/3	REV.: A

F  
E  
D  
C  
B  
A  
SIZE: A4

1 2 3 4 5 6 7 8

F

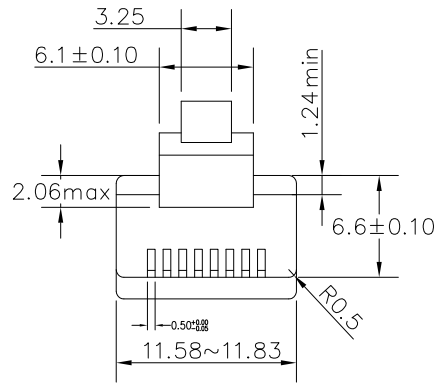
E

D

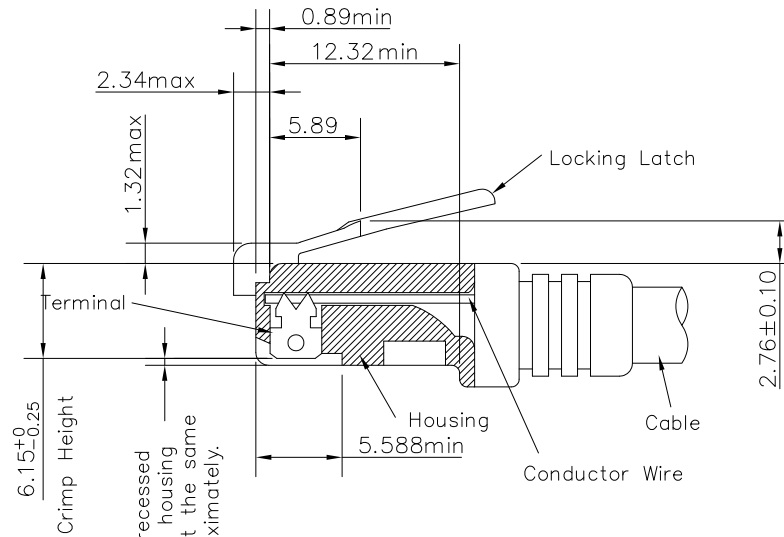
C

B

A



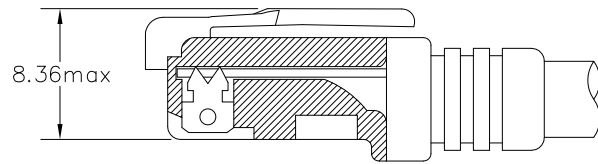
\* There must be no damage to housing or locking latch. There must be no nicks or cuts in cable.  
 \* Durability : 750 cycles generally



All contacts recessed below top of housing and must be at the same height approximately.

FOLLOW SPECIFICATION : FCC, PART 68, SUBPART F FIGURE 68.500 (C)(2)(i) AND IEC 603-7 FIGURE 23 & 24

STANDARD MODULAR PLUG ASSEMBLY



FOLLOW SPECIFICATION : FCC, PART 68, SUBPART F FIGURE 68.500 (C)(2)(ii)

REV.	ECN. NO.	DRAWN	DATE	EC.content
A	NEW	LLDONG	03/29/2017	



⊗: QUALITY CONTROL ITEM		GENERAL TOLERANCE .X± 0.38 X.'± 2' .XX± 0.25 .X'± 1' .XXX± 0.13		PART NO.: FDA-DB14-44P2		
APPROVED				TITLE:RJ45,CONNECTORS,W/LED,10P8C		
CHECKED				10/100,FILTER		
DRAWN		UNIT: mm		SCALE:1:1	SHEET: 3/3	REV.: A

1 2 3

説明: △:備註 ◇:版本變更 ㊦:尺寸序號 ■:重點尺寸 ▼:CPK尺寸

DOCUMENT NO. : ZER0013/A.3

SIZE: A4