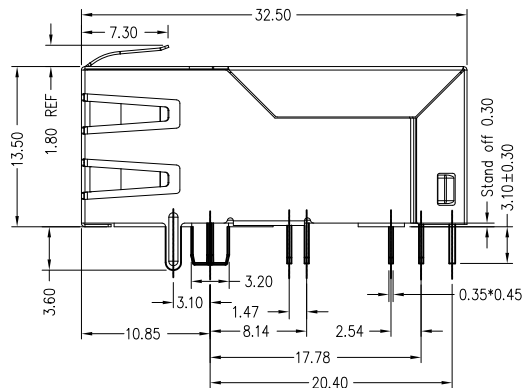
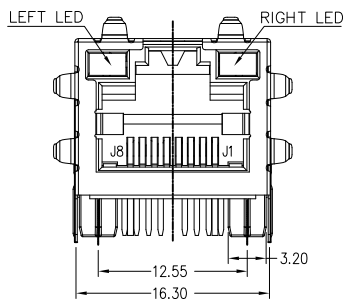
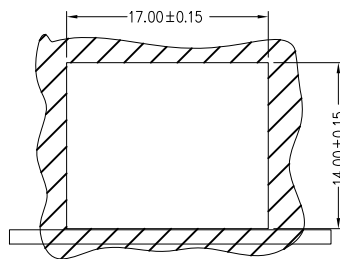
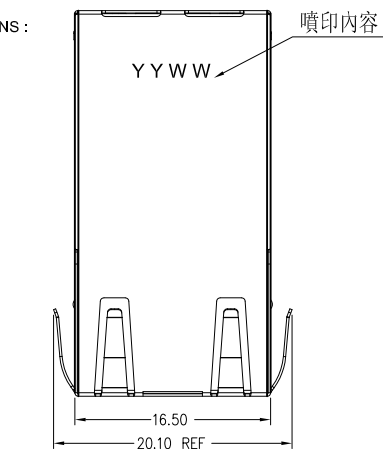
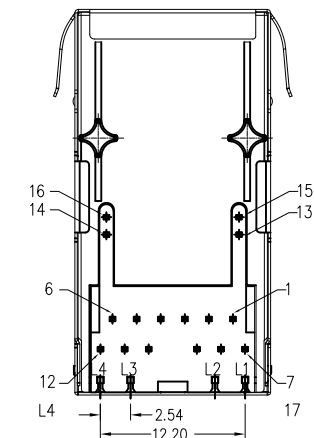
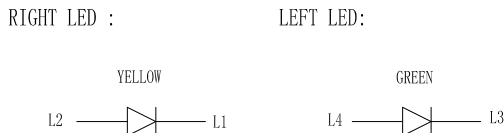


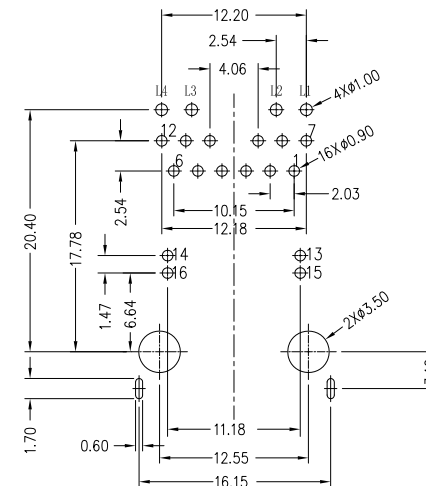
1. MECHANICAL DIMENSIONS :



LED CONFIGURATION :



2. PCB LAYOUT :



SUGGESTED PCB LAYOUT  
DIMENSIONAL TOLERANCE: .XX ±0.05[0.002]

NOTES:

1. MATERIALS:

- HOUSING -LCP POLYESTER UL94V-0 MIXED GLASS FIBER. STANDARD COLOR-BLACK.
- CONTACTS -0.35mm THICK PHOS-BRONZE PLATED WITH 30U' GOLD AND TIN IN SOLDER AREA.
- SHIELD-0.2mm THICK COPPER ALLOY, PLATED WITH NICKEL.

2. LED WAVELENGTH

- YELLOW: 585~590 nm
- GREEN: 565~570 nm

REV.	ECN. NO.	DRAWN	DATE	EC.content
A	NEW	Tony	04/17/2017	



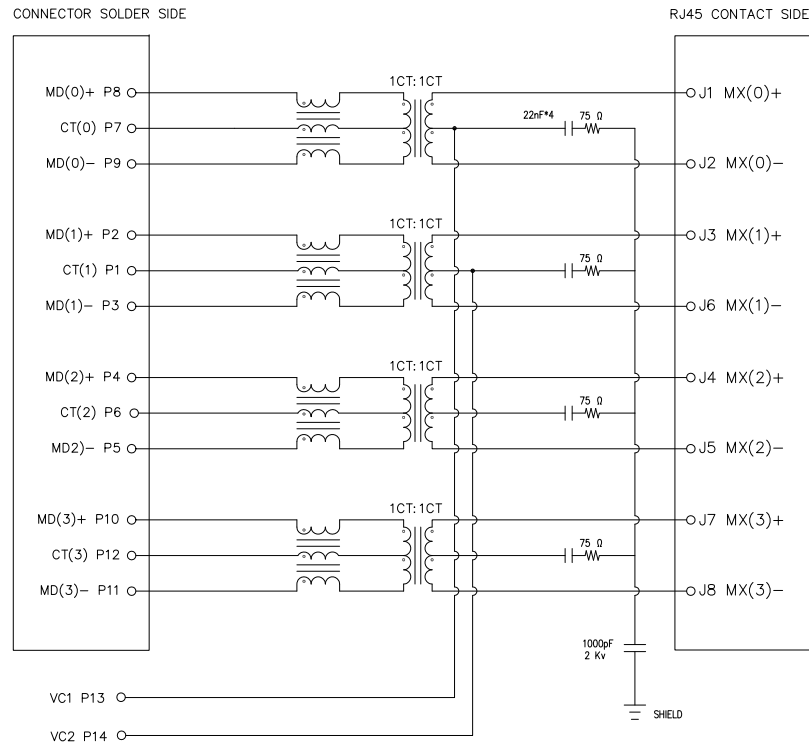
⊗: QUALITY CONTROL ITEM		GENERAL TOLERANCE		PART NO.: FTC-CA41-68P9			
APPROVED		.X± 0.38	X.'± 2'	TITLE:RJ45,CONNECTORS,W/LED 100/100M+POE FILTER			
CHECKED		.XX± 0.25	.X'± 1'				
DRAWN		.XXX± 0.13		UNIT: mm	SCALE:1:1	SHEET: 1/2	REV.: A

說明: △:備註 ◇:版本變更 ①:尺寸序號 ■:重點尺寸 ▼:CPK尺寸

DOCUMENT NO. : ZER0013/A.3

SIZE: A4

3. SCHEMATIC:



E-CONN PART NO:

FTC - CA 41 - 6 8 P 9

SHELL CODE \_\_\_\_\_

HOUSING CODE \_\_\_\_\_

LED COLOR OPTION \_\_\_\_\_

CIRCUIT TYPE \_\_\_\_\_

PLATING CODE \_\_\_\_\_

4. ELECTRICAL CHARACTERISTICS :

TEST NOTES: (25±5°C)

- TR: (100KHz, 0.1V); 100%  
PINS: (P8,P9): (J1,J2)=1:1±3%; (P2,P3): (J3,J6)=1:1±3%  
PINS: (P4,P5): (J4,J5)=1:1±3%; (P10,P11): (J7,J8)=1:1±3%
- LX: (100KHz, 100mV, 19mA, DC Bias) 100%  
PINS: (P8,P9), (P2,P3), (P4,P5), (P10,P11)=120uH MINIMUM
- DCR: 100%  
PINS: (J1,J2), (J3,J6), (J4,J5), (J7,J8)=1.2 Ω MAXIMUM
- HIPOT: 100%  
PINS(P8,P9) TO (J1,J2), (P2,P3) TO (J3,J6)=1500VAC FOR 2 SECONDS  
PINS(P4,P5) TO (J4,J5), (P10,P11) TO (J7,J8)=1500VAC FOR 2 SECONDS
- INSERTION LOSS:  
-0.5dB MAXIMUM AT 1MHz TO 50MHz;  
-1.0dB MAXIMUM AT 50MHz TO 125MHz;  
-2.0dB MAXIMUM AT 125MHz TO 200MHz;
- RETURN LOSS:  
-20dB MINIMUM AT 1MHz TO 40MHz;  
-20+15\*LOG(FREQ MHZ/40MHZ) dB MINIMUM AT 40MHz TO 200MHz
- CROSS TALK:  
-30dB MINIMUM AT 50MHz TO 125MHz  
-25dB MINIMUM AT 125MHz TO 200MHz
- COMMON TO COMMON MODE REJECTION:  
-25dB MINIMUM AT 1MHz TO 200MHz
- Balanced DC LINE CURRENT  
350mA MAX@48V DC CONNTINUOUS

REV.	ECN. NO.	DRAWN	DATE	EC.content
A	NEW	Tony	04/17/2017	



⊗: QUALITY CONTROL ITEM		GENERAL TOLERANCE .X±0.38 X.'±2' .XX±0.25 .X'±1' .XXX±0.13		PART NO.: FTC-CA41-68P9		
APPROVED				TITLE: RJ45, CONNECTORS, W/LED		
CHECKED				100/1000M+POE FILTER		
DRAWN		UNIT: mm		SCALE: 1:1	SHEET: 2/2	REV.: A

説明: △:備註 ◇:版本變更 ①:尺寸序號 ■:重點尺寸 ▼:CPK尺寸

DOCUMENT NO. : ZER0013/A.3

SIZE: A4