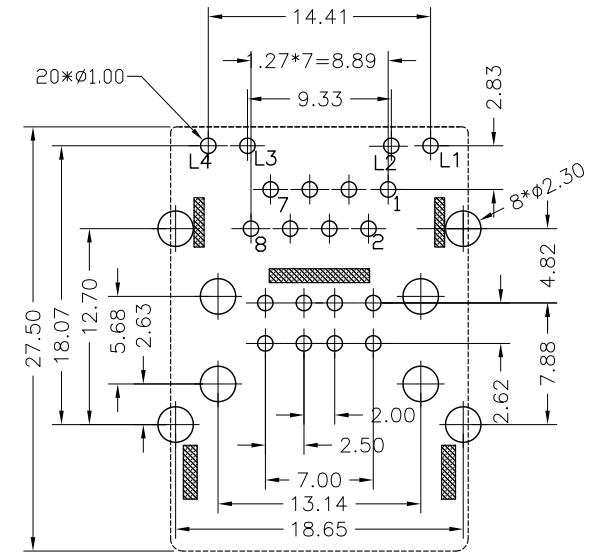
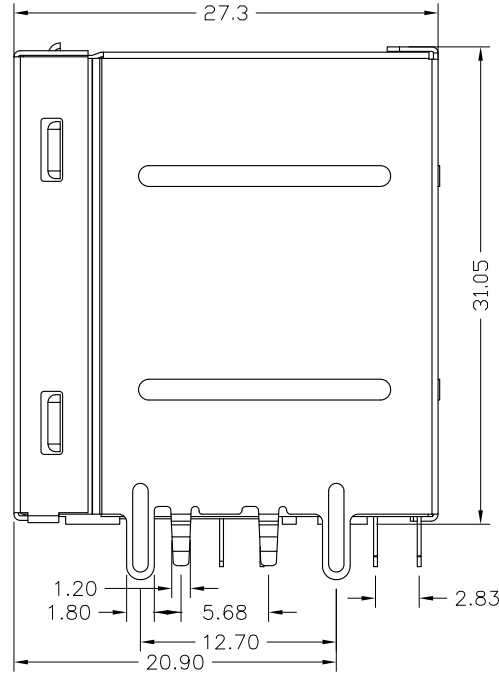
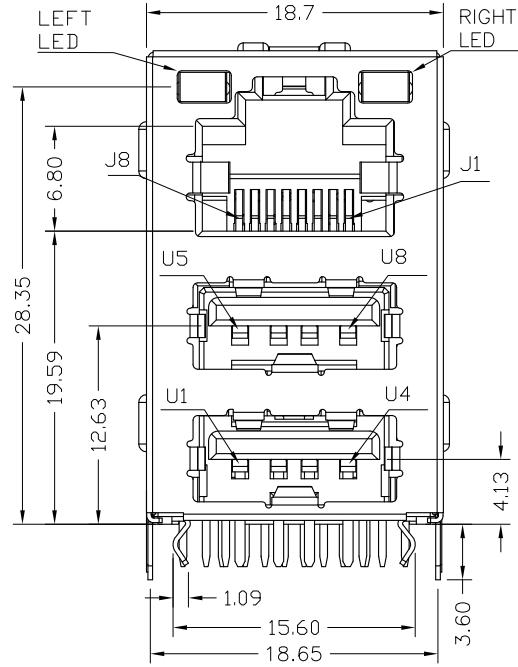


1. MECHANICAL DIMENSIONS :



RECOMMENED PCB LAYOUT
COMPONENT SIDE
TOLERANCE ±0.05

NOTE:

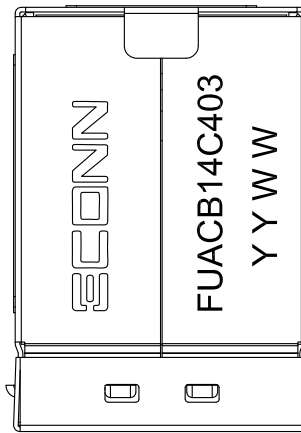
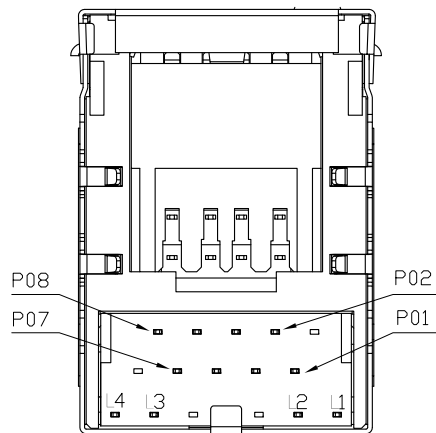
1. MATERIAL:

RJ45
HOUSING: THERMOPLASTICS,UL94V-0;
SUPPORT: THERMOPLASTICS,UL94V-0;
COVER: THERMOPLASTICS,UL94V-0;
CONTACT: PHOSPHOR BORNEZE
FRONT SHELL:STAINLESS STEEL,NICKEL PLATED
BACK SHELL: FERRI ALLOY,NICKEL PLATED
USB
HOUSING:THERMOPLASTICS,UL94V-0
CONTACT:PHOSPHOR BORNEZE

2.FINISH:

USB
CONTACT:G/F GOLD PLATED ON CONTACT AREA,
100µ" MIN TIN PLATED ON SOLDER TALLS AREA
50µ"MIN,NICKEL UNDERPLATING OVER ALL,
RJ45
CONTACT:G/F GOLD PLATED ON CONTACT AREA,
100µ" MIN TIN PALTED ON SOLDER TAILS AREA,
50µ" MIN,NICKEL UNDERPLATING OVER ALL,

3. CAVITY CONFIRMS TO FCC RULES AND REGULATIONS PART 68,SUBPART F,



LEFT LED:



RIGHT LED:



TOP VIEW

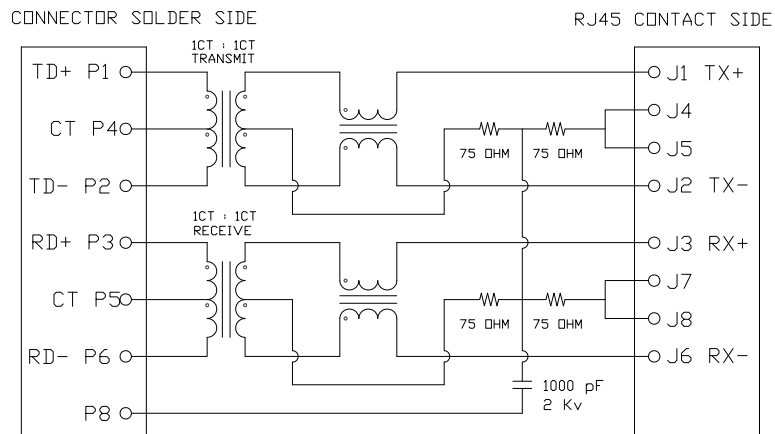
REV.	ECN. NO.	DRAWN	DATE
A	NEW	Tony	08/26/2014

ECONN
Technology
ECONN corporation

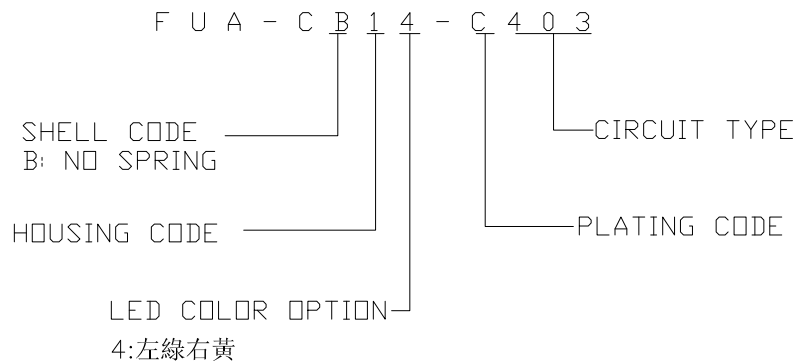


⊗:QUALITY CONTROL ITEM		GENERAL TOLERANCE		PART NO.: FUA-CB14-C403		
APPROVED		.X± 0.38	X.'± 2'	TITLE:RJ45+USB2.0 CONN,W/LED		
CHECKED		.XX± 0.25	.X'± 1'	10/100MBPS,FILTER		
DRAWN		.XXX± 0.13		UNIT: mm	SCALE: 2:1	SHEET: 1/3
						REV.: A

2.SCHEMATIC:



E-CONN PART NO:



4. ELECTRICAL CHARACTERISTICS :

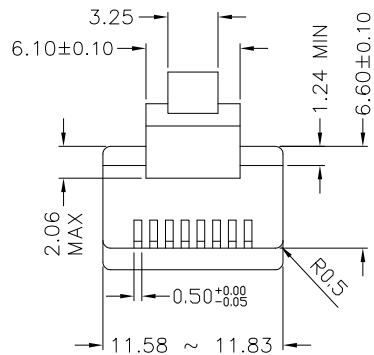
- TEST NOTES:(25°±5°C)
- TR:(100KHz,0.1V); 100%
PINS:(P1,P2):(J1,J2)=1:1±3%;(P3,P6):(J3,J6)=1:1±3%
 - LX:(100KHz,100mV,8mA, DC Bias) 100%
PINS:(P1,P2),(P3,P6)=350uH MINIMUM
 - DCR: 100%
PINS:(J1,J2),(J3,J6)=1.2Ω MAXIMUM
 - HIPOT: 100%
PINS(P1,P2)TO(J1,J2),(P3,P6)TO(J3,J6)=1500VAC FOR 2 SECONDS
 - INSERTION LOSS:
-1.0dB MAXIMUM AT 1MHz TO 100MHz;
 - RETURN LOSS:
-20dB MINIMUM AT 1MHz TO 30MHz;
-15dB MINIMUM AT 30MHz TO 60MHz
-10dB MINIMUM AT 60MHz TO 80MHz
 - CROSS TALK:
-30dB MINIMUM AT 1MHz TO 100MHz
 - COMMON TO COMMON MODE REJECTION:
-30dB MINIMUM AT 1MHz TO 100MHz

REV.	ECN. NO.	DRAWN	DATE
A	NEW	Tony	08/26/2014

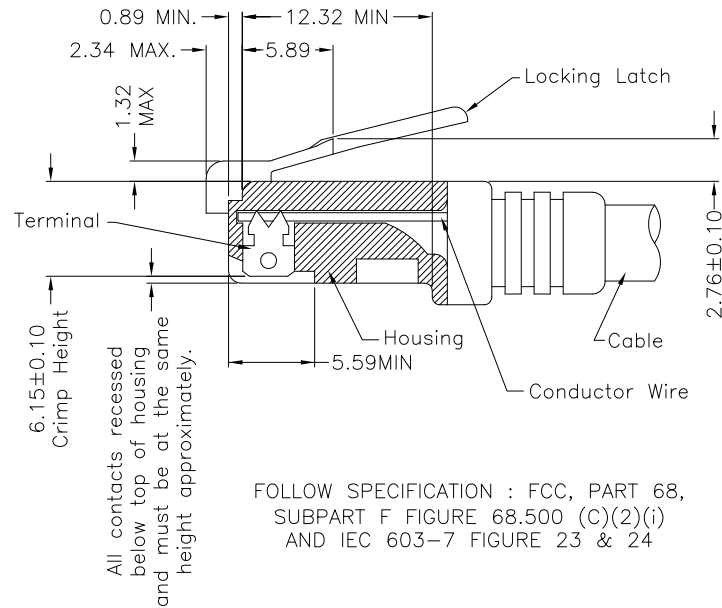


⊗:QUALITY CONTROL ITEM		GENERAL TOLERANCE .X± 0.38 X.'± 2' .XX± 0.25 .X'± 1' .XXX± 0.13		PART NO.: FUA-CB14-C403		
APPROVED				TITLE:RJ45+USB2.0 CONN,W/LED		
CHECKED				10/100MBPS,FILTER		
DRAWN		UNIT: mm		SCALE: 2:1	SHEET: 2/3	REV.: A

F
E
D
C
B
A
SIZE: A4



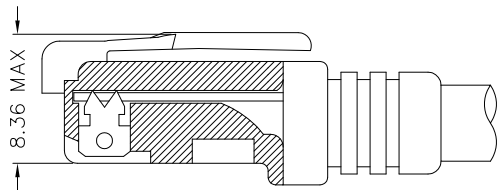
* There must be no damage to housing or locking latch. There must be no nicks or cuts in cable.
 * Durability : 750 cycles generally



FOLLOW SPECIFICATION : FCC, PART 68,
 SUBPART F FIGURE 68.500 (C)(2)(i)
 AND IEC 603-7 FIGURE 23 & 24

All contacts recessed below top of housing and must be at the same height approximately.

STANDARD MODULAR PLUG ASSEMBLY



FOLLOW SPECIFICATION : FCC, PART 68, SUBPART F
 FIGURE 68.500 (C)(2)(ii)

REV.	ECN. NO.	DRAWN	DATE
A	NEW	Tony	08/26/2014



⊗:QUALITY CONTROL ITEM		GENERAL TOLERANCE .X± 0.38 X.'± 2' .XX± 0.25 .X'± 1' .XXX± 0.13		PART NO.: FUA-CB14-C403		
APPROVED		UNIT: mm		TITLE:RJ45+USB2.0 CONN,W/LED 10/100MBPS,FILTER		
CHECKED		SCALE:2:1	SHEET: 3/3	REV.: A		
DRAWN						