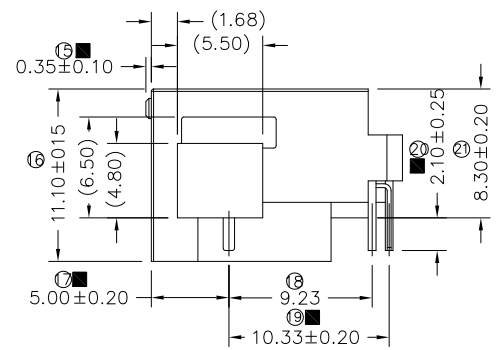
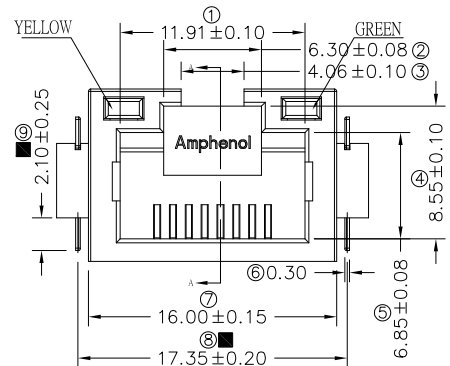
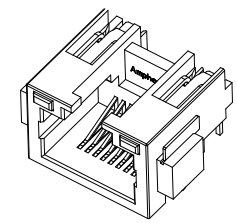


1 LED LAYOUT

| | | |
|-------|-------|--------|
| ⊕ | ⊖ | ⊕ |
| D1 | D2 | |
| NODE | COLOR | |
| D1(+) | D2(-) | Yellow |

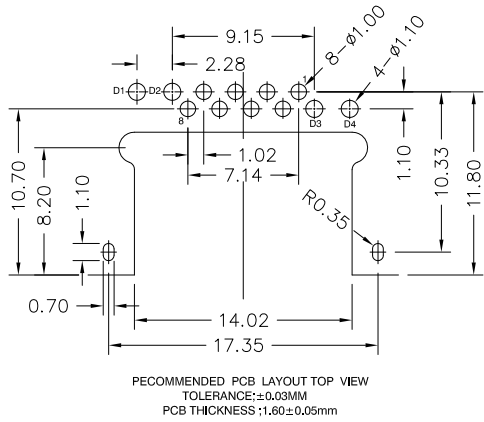
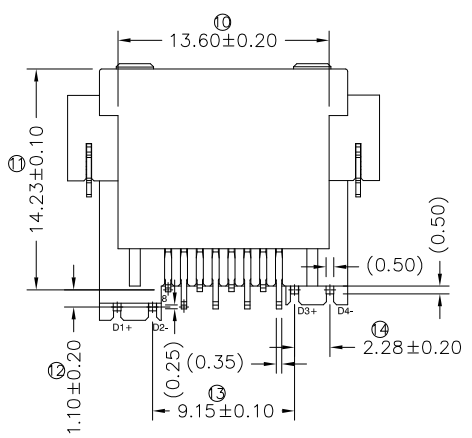
2 LED LAYOUT

| | | |
|-------|-------|-------|
| ⊕ | ⊖ | ⊕ |
| D3 | D4 | |
| NODE | COLOR | |
| D3(+) | D4(-) | Green |



NOTES:
 1.MATERIAL:
 HOUSING:HIGH TEMPERATURE THERMAL PLASTIC,PA9T(GN2230), UL94V-0,COLOR:OPTIONS
 TERMINAL:PHOSPHOR BRONZE C5210-EH T=0.25mm.
 FITTING NAIL:BRASS C2680-H T=0.30mm.
 2.FINISH:
 TERMINAL:
 CONTACT AREA:SELECTED GOLD PLATING;
 SOLDERING AREA:MATTE TIN PLATING 100u" THICKNESS MIN.
 UNDER PLATING :NICKEL PLATING 50u" THICKNESS MIN.OVERALL.
 FITTING NAIL:
 MATTE TIN PLATING 100u" THICKNESS MIN.
 3.PRODUCT SPECIFICATION REFER TO:PS-7632
 4.TEST SUMMARY REFER TO:TS-7632-XXX
 5.CRITICAL DIMENSION ▼ SHOULD BE CONTROLLED BY SPC
 6.MAJOR DIMENSION ■ MUST BE CONTROLLED BY QIP.
 7.THIS PRODUCT DOESN'T CONTAIN ENVIRONMENTAL HAZARDOUS PER DIRECTIVE 2011/65/EU FOR ROHS COMPLIANT
 8.LED WAVELENGTH:

| Colour | Wave length | IV | Condition |
|--------|-------------|---------|-----------|
| Yellow | 585~590nm | 1~9 mcd | IF=20mA |
| Green | 565~570nm | 1~9 mcd | |



J C D- C 0 7 1-X 0 0 0

7: PA9T

LED CODE: C : G/F
 F : 15u'
 G : 30u'
 H : 50u'

1 :LEFT : Yellow
 RIGHT : Green

| REV. | ECN. NO. | DRAWN | DATE | EC.content |
|------|----------|---------|------------|------------|
| A.0 | NEW | WangLei | 05/22/2017 | |



| | | |
|------------------------|---|-------------------------------|
| ⊗:QUALITY CONTROL ITEM | GENERAL TOLERANCE .X±0.15 X.'± 2' .XX±0.10 .X"± 1' .XXX±0.05 | PART NO.: JCD-C071-X000 |
| APPROVED | | TITLE: 沉板式RJ |
| CHECKED | | |
| DRAWN | UNIT: mm | SCALE:1:1 SHEET:1/1 REV.: A.0 |