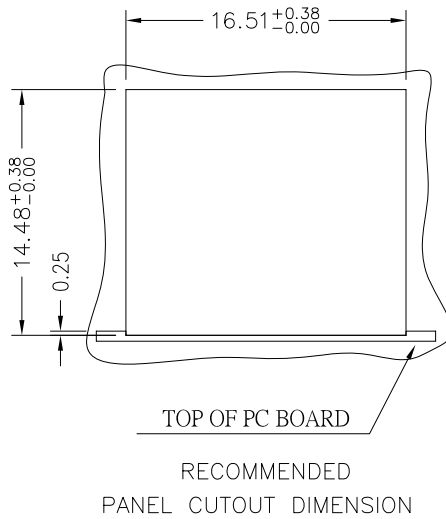
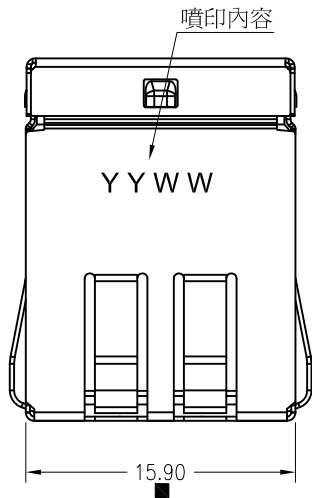


1. MECHANICAL DIMENSIONS :



P/N RULE:
JDCA-A 4 1 1-Y G 1 C

SHELL CODE
W/ ALL SPRING
W/O LOGO

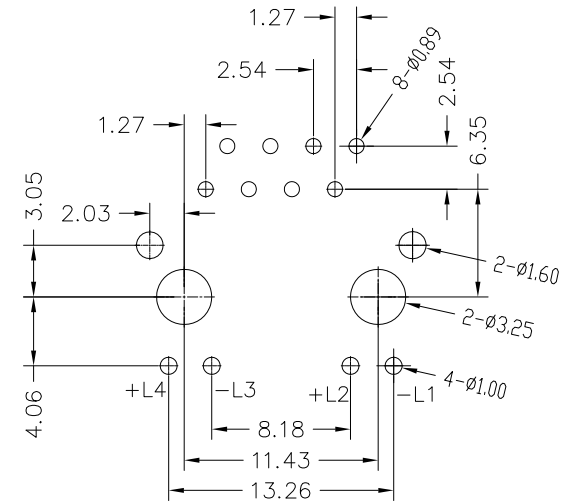
HOUSING:PBT BLACK

LED CODE
LEFT LED:YELLOW
RIGHT LED:GREEN

PIN 3.56mm

GOLD PLATED G/F U"
MATTE TIN

2. PCB LAYOUT



SUGGESTED PCB LAYOUT

DIMENSIONAL TOLERANCE: XX ±0.05

NOTES:

1. MATERIALS:

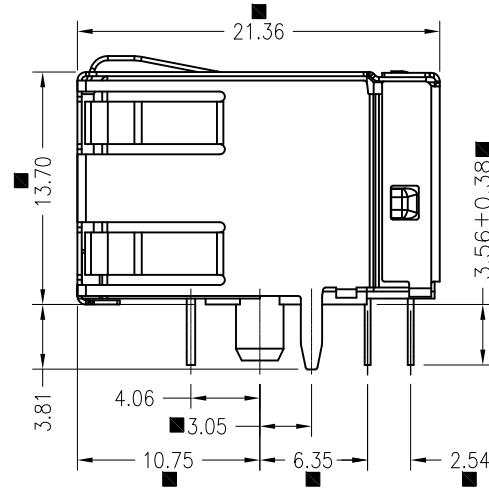
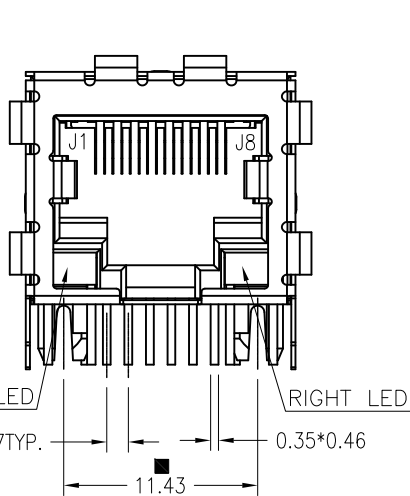
HOUSING -PBT POLYESTER UL94V-0
MIXED GLASS FIBER.
STANDARD COLOR-BLACK .

CONTACTS -0.35mm THICK PHOS-BRONZE PLATED
WITH G/F " GOLD AND MATTE TIN
IN SOLDER AREA.

SHIELD -0.25mm THICK COPPER ALLOY,
PLATED WITH NICKEL.

2. CAVITY CONFIRMS TO FCC RULES AND REGULATIONS

PART 68,SUBPART F.



LEFT LED:



RIGHT LED:



REV.	ECN. NO.	DRAWN	DATE	EC.content
A.0	NEW	YYting	2017.6.05	



⊗: QUALITY CONTROL ITEM		GENERAL TOLERANCE		PART NO.: JDCA-A411-YG1C		
APPROVED	Andy.chou	.X± 0.38	X.'± 2'	TITLE:RJ45,CONNECTORS,W/LED,8P8C NO FILTER		
CHECKED	Tony	.XX± 0.25	.X'± 1'			
DRAWN	YYting	.XXX± 0.13		UNIT: mm	SCALE: 1:1	SHEET: 1/1
				REV.: A.0		

說明: △:備註 ◇:版本變更 ①:尺寸序號 ■:重點尺寸 ▼:CPK尺寸

DOCUMENT NO. : ZER0013/A.3

SIZE: A4