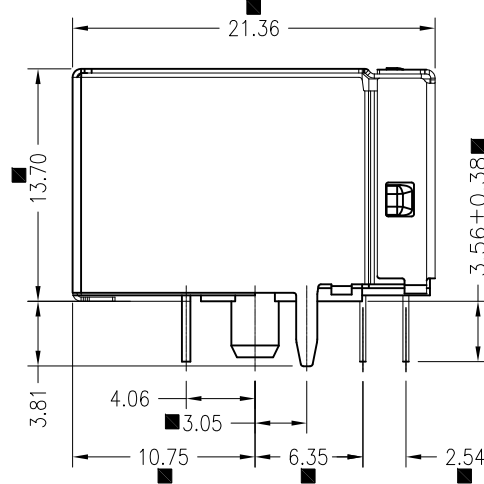
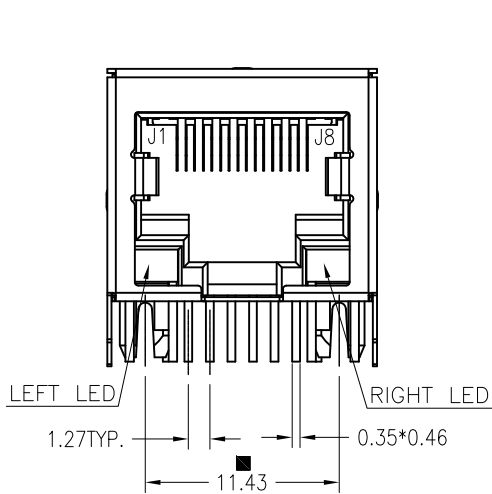
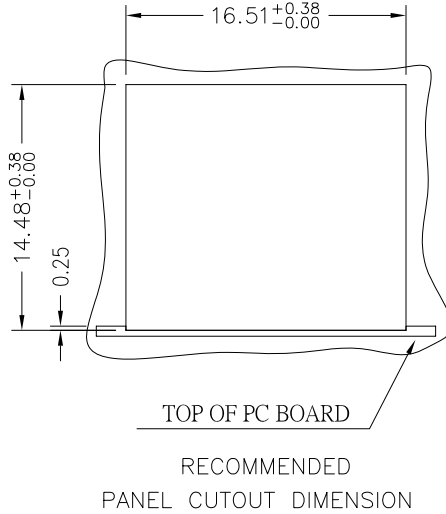
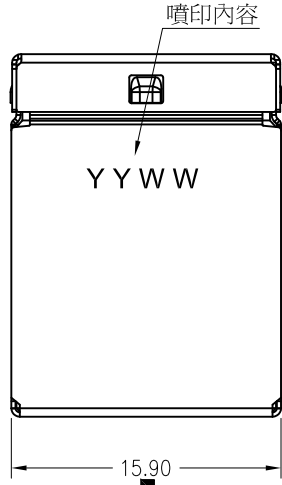


1. MECHANICAL DIMENSIONS :



P/N RULE:

JDCA-D 4 B 1-Y G 1 3

SHELL CODE
W/O SPRING
W/O LOGO

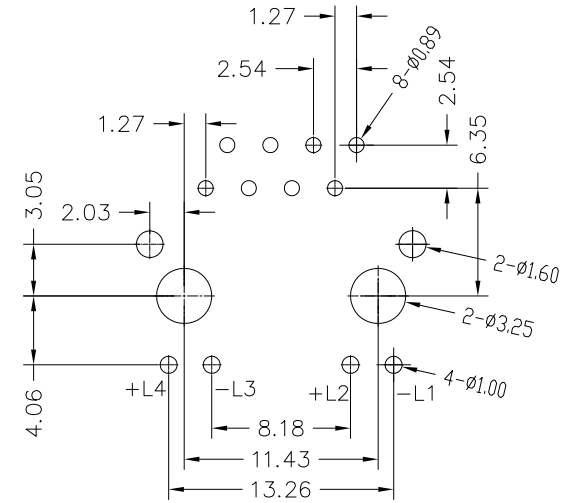
HOUSING: PBT BLUE

LED CODE
LEFT LED: Yellow
RIGHT LED: Green

PIN 3.56mm

GOLD PLATED D/F U"

2. PCB LAYOUT



SUGGESTED PCB LAYOUT

DIMENSIONAL TOLERANCE: XX ±0.05

NOTES:

1. MATERIALS:

HOUSING - PBT POLYESTER UL94V-0
MIXED GLASS FIBER.
STANDARD COLOR - BLUE (PROCESS BLUE U).

CONTACTS - 0.35mm THICK PHOS-BRONZE PLATED
WITH G/F U" GOLD AND TIN
IN SOLDER AREA.

SHIELD - 0.25mm THICK COPPER ALLOY,
PLATED WITH NICKEL.

2. CAVITY CONFIRMS TO FCC RULES AND REGULATIONS

PART 68, SUBPART F.

LEFT LED:



RIGHT LED:



| REV. | ECN. NO. | DRAWN | DATE | EC.content |
|------|----------|---------|-----------|------------|
| A.0 | NEW | YYUTING | 2016/8/31 | |
| | | | | |
| | | | | |



| ⊗: QUALITY CONTROL ITEM | | GENERAL TOLERANCE | | PART NO.: JDCA-D4B1-YG13 | | |
|-------------------------|--|-------------------|------------|---|--|--|
| APPROVED | | .X ± 0.38 | X' ± 2' | TITLE: RJ45, CONNECTORS, W/LED, 8P8C NO FILTER | | |
| CHECKED | | .XX ± 0.25 | .X' ± 1' | | | |
| DRAWN | | .XXX ± 0.13 | .X' ± 1' | | | |
| UNIT: mm | | SCALE: 1:1 | SHEET: 1/1 | REV.: A.0 | | |

說明: △:備註 ◇:版本變更 ①:尺寸序號 ■:重點尺寸 ▼:CPK尺寸

DOCUMENT NO. : ZER0013/A.3

SIZE: A4