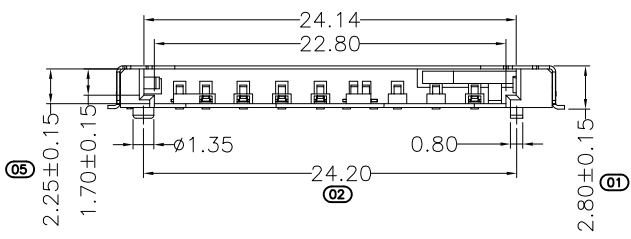
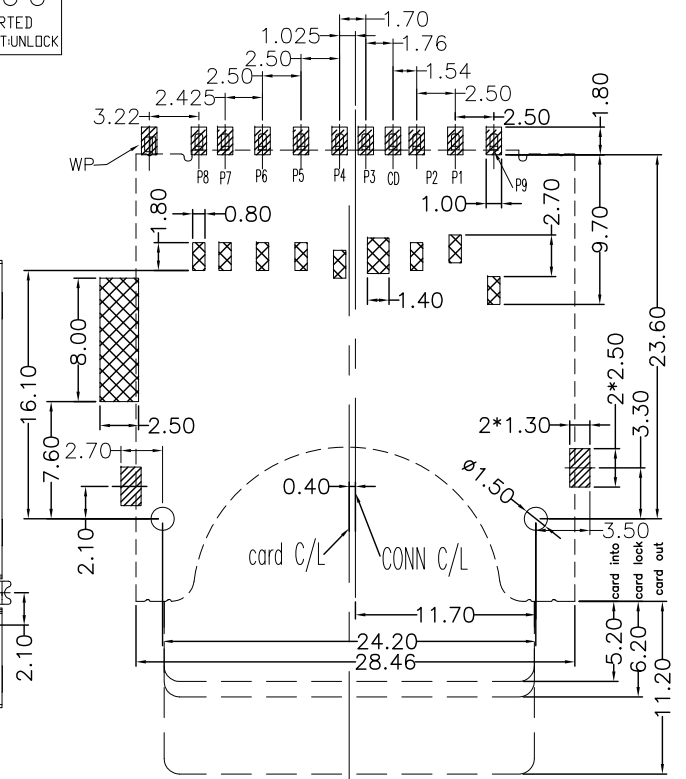
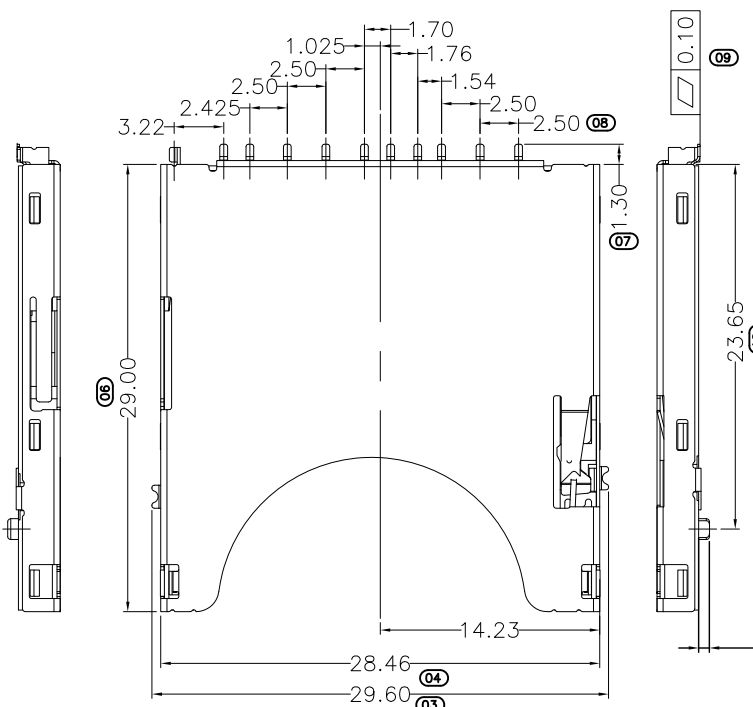
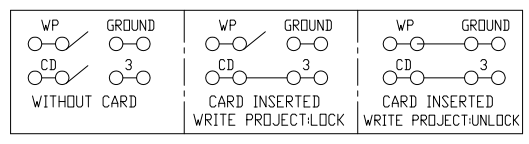
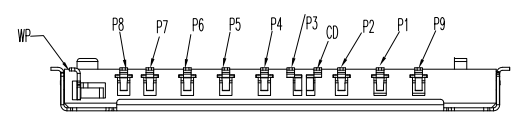


1 2 3 4 5 6 7 8

F  
E  
D  
C  
B  
A

F  
E  
D  
C  
B  
A



SD CARD PIN DESIGN			
PIN#	Name	Type	Description
1	CD/DAT3	I/O/PP	Card Detect/Data Line(Bit3)
2	CMD	PP	Command/Response
3	Vss1	S	Supply voltage ground
4	VDD	S	Supply voltage
5	CLK	I	Clock
6	Vss2	S	Supply voltage ground
7	DAT0	I/O/PP	Data line (Bit0)
8	DAT1	I/O/PP	Data line (Bit1)
9	DAT2	I/O/PP	Data line (Bit2)

PART NO.  
11105-2K3-M11-XX

G1=鍍金1u"  
M1=半金鍍層1u"(GF)  
M2=半金鍍層3u"  
M3=半金鍍層5u"  
M5=半金鍍層15u"  
00:无LOGO要求  
DR:示"DR"  
TC:示"TC"  
CN:示"CN"  
YK:示"YK"  
FTK:示"FTK14XX",  
XX代表第九周

NOTE:  
1. MATERIAL:  
HOUSING:LCP , UL94V-0, BLACK.  
CONTACT: COPPER ALLOY  
SPRING & LOCK : STEEL  
SHELL: SUS  
2. FINISH:  
CONTACT:NICKEL 40u" PLATED OVER ALL, GOLD FLASH PLATED ON CONTACT AREA.  
SHELL:NICKEL 30u" PLATED OVER ALL, GOLD FLASH PLATED ON SOLDER AREA.

REV.	ECN. NO.	DRAWN	DATE	EC.content
XA	NEW	LLDONG	08/26/2015	



⊗: QUALITY CONTROL ITEM	GENERAL TOLERANCE .X± 0.38 X.*± 2' .XX± 0.25 .X.*± 1' .XXX± 0.13	PART NO.: YK-11105-2K3-M11-00 TITLE:SD PUSH 卡座(外焊+无孔)
APPROVED	UNIT: mm	SCALE: 1:1
CHECKED		SHEET: 1/1
DRAWN		REV.: A

SIZE: A4