

1 2 3 4 5 6 7 8

F

E

D

C

B

A

F

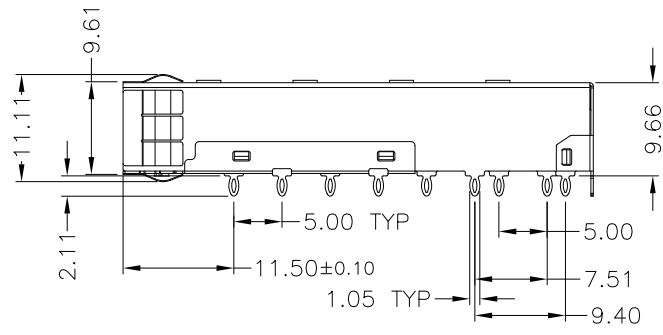
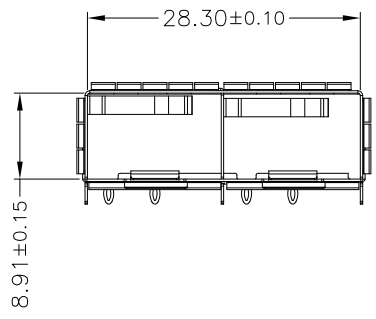
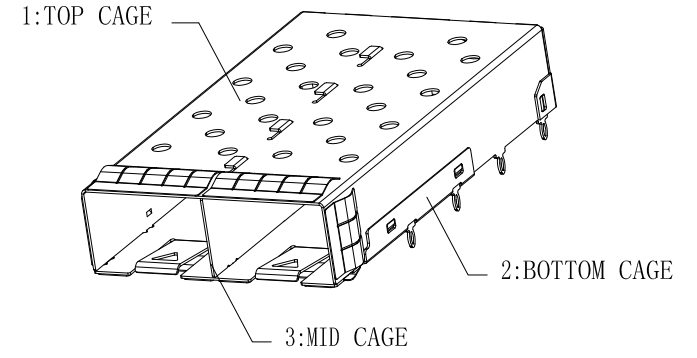
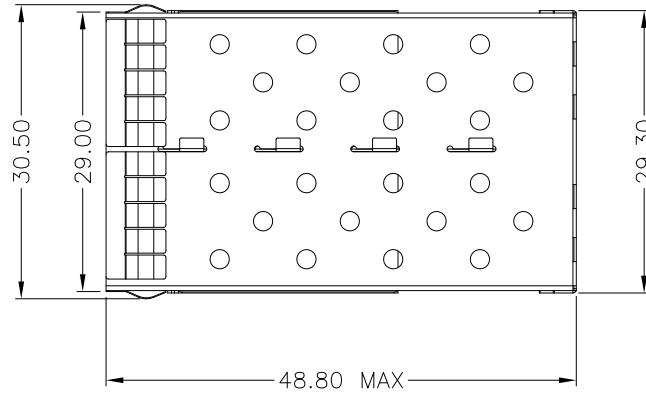
E

D

C

DIE ON: XXXXXX

SIZE: A4



NOTES:

- 1. MATERIAL:
 - TOP CAGE: COPPER ALLOY, THICKNESS 0.25mm
 - BOTTOM CAGE: SUS304, THICKNESS 0.25mm
 - MID CAGE: COPPER ALLOY, THICKNESS 0.25mm
- 2. TEMPERATURE :
 - OPERATION: -40° C ~ +85° C
 - STORAGE: -55° C ~ +105° C

| ITEM | PARTS NAME | Q'TY | MATERIAL | FINISH/REMARK |
|------|-------------|------|--------------|---------------|
| 1 | TOP CAGE | 1 | COPPER ALLDY | NI 50U" MIN |
| 2 | BOTTOM CAGE | 1 | SUS | |
| 3 | MID CAGE | 1 | COPPER ALLOY | NI 50U" MIN |

| REV. | ECN. NO. | DRAWN | DATE | EC.content |
|------|----------|-------|------------|------------|
| A | NEW | ALLEN | 09/08/2020 | - |
| | | | | |
| | | | | |



| | | | | | |
|-------------------------|--|---|--|--------------------------|------------|
| ⊗: QUALITY CONTROL ITEM | | GENERAL TOLERANCE .X± 0.13 X: ± 2' .XX± 0.08 .X: ± 1' .XXX± 0.05 | | PART NO.: SF12-4010-XX1N | |
| APPROVED | | | | TITLE: SFP 1X2 CAGE | |
| CHECKED | | | | / | |
| DRAWN | | UNIT: mm | | SCALE: 1:1 | SHEET: 1/2 |
| | | | | REV.: A.0 | |

1 2 3 4 5 6 7 8

F

E

D

C

B

A

F

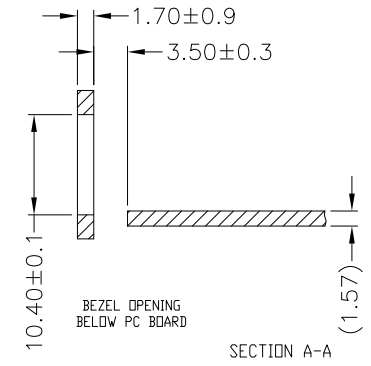
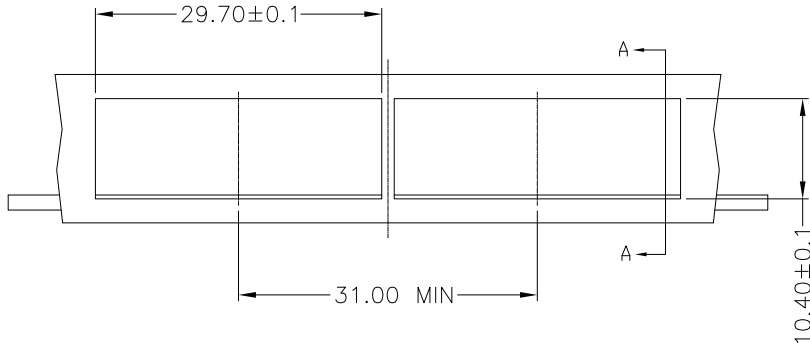
E

D

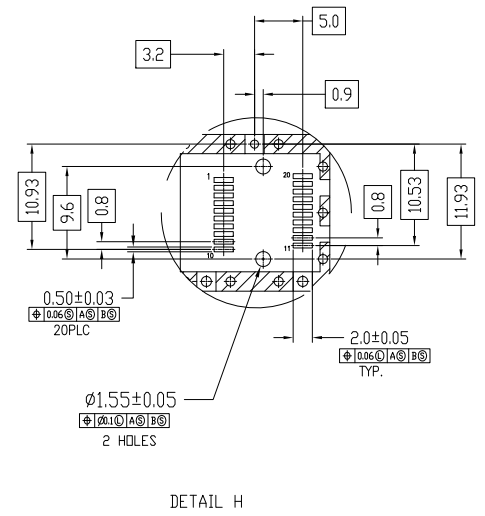
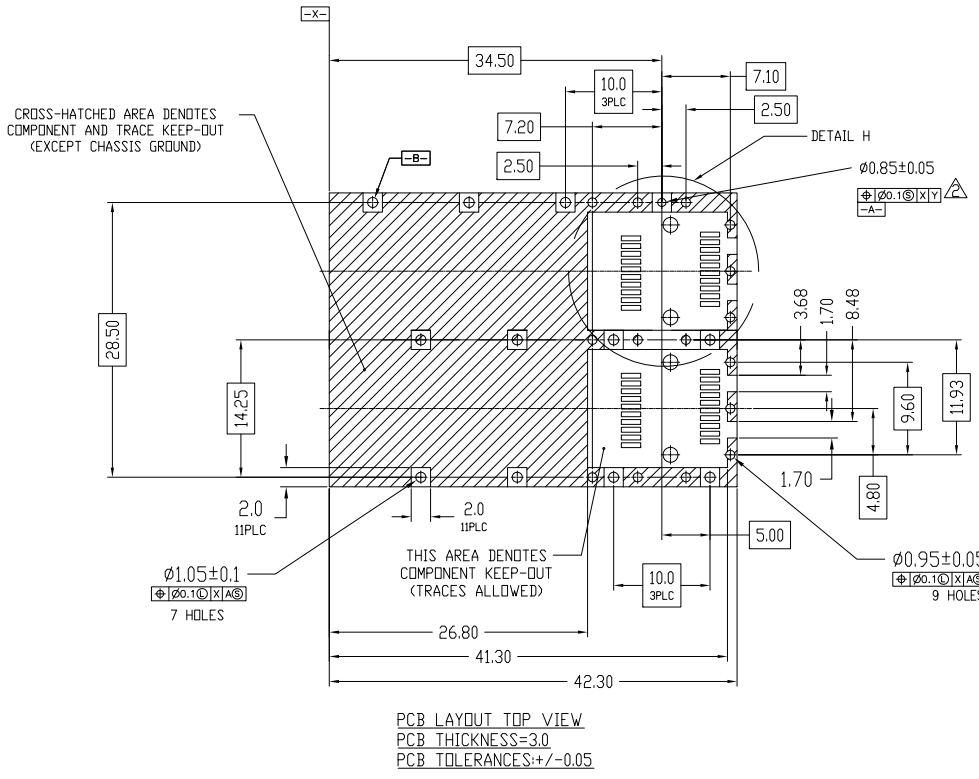
C

DIE ON: XXXXXX

SIZE: A4



RECOMMENDED BEZEL DESIGN



PCB LAYOUT TOP VIEW
PCB THICKNESS=3.0
PCB TOLERANCES:+/-0.05

| REV. | ECN. NO. | DRAWN | DATE | EC.content |
|------|----------|-------|------------|------------|
| A | NEW | ALLEN | 06/18/2020 | - |
| | | | | |
| | | | | |



| | | |
|-------------------------|--|--------------------------|
| ⊗: QUALITY CONTROL ITEM | GENERAL TOLERANCE .X± 0.13 X.'± 2' .XX± 0.08 .X'± 1' .XXX± 0.05 | PART NO.: SF12-4010-XX1N |
| APPROVED | | TITLE: SFP 1X2 CAGE |
| CHECKED | | / |
| DRAWN | UNIT: mm | SCALE: 1:1 |
| | | SHEET: 2/2 |
| | | REV.: A.0 |