

1 2 3 4 5 6 7 8

F

E

D

C

B

A

F

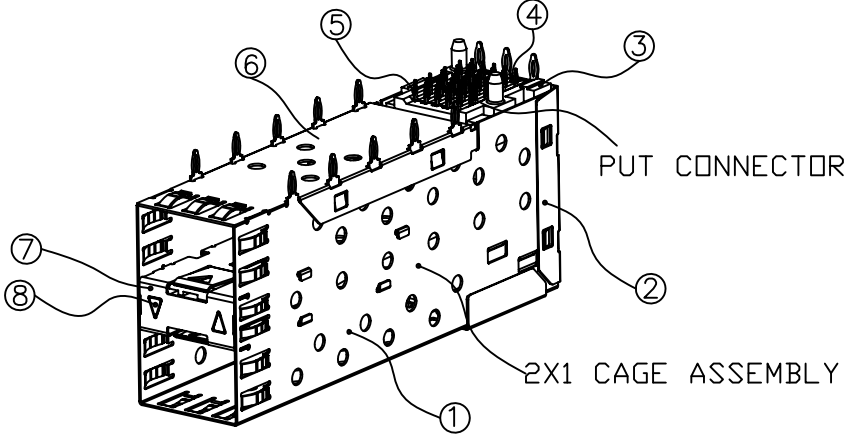
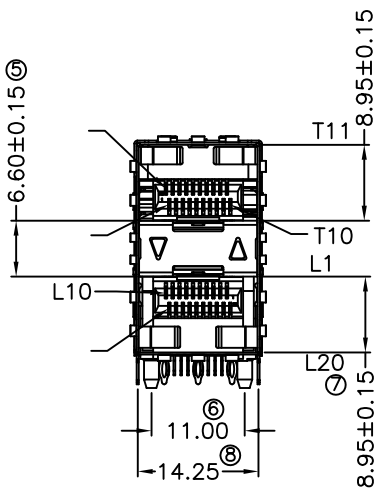
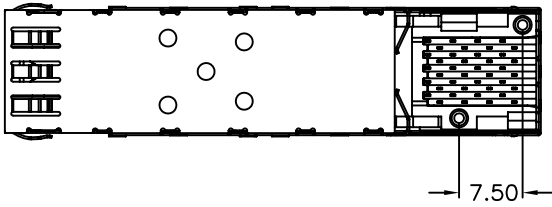
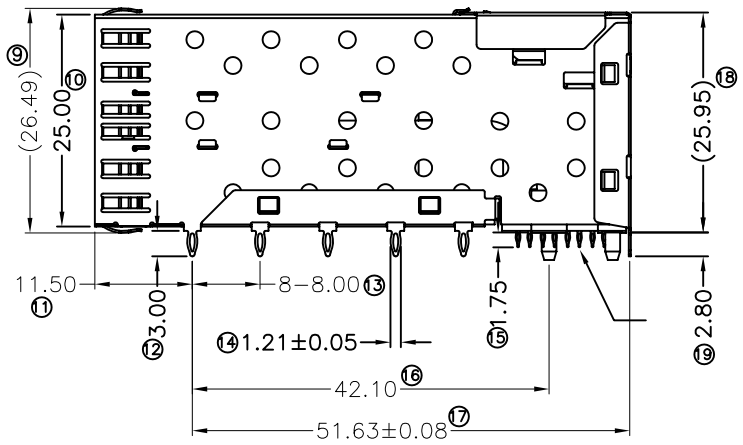
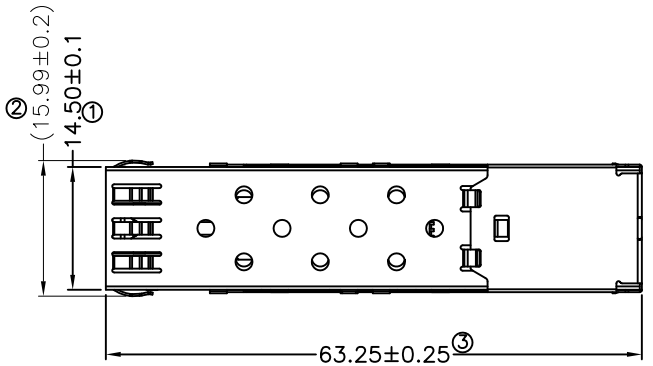
E

D

C

DIE ON:YK238

SIZE: A4



NOTES:
 MECHANICAL REQUIREMENT:
 1.DURABILITY:100CYCLES MIN
 2.INSERTION ANDEXTRACTION FORCE :40N MAX&11.5N MIN
 ENVIRONMENTAL:
 1.TEMPERATURE RANGE:-40°TO+85°C
 2.STORAGE:-55°TO+105°C
 3.PACKAGING:TRAY PACKAGING

ITEM	PARTS NAME	Q'TY	MATERIAL	FINISH/REMARK
1	TOP CAGE	1	COPPER ALLOY	NI 50U" MIN
2	BACK CAGE	1	COPPER ALLOY	NI 50U" MIN
3	HOUSING	1	TEMPERATURE PLASTIC	BLACK
4	INSERT	10	TEMPERATURE PLASTIC	BLACK
5	TERMINAL	10	COPPER ALLOY	AU 15U" MIN
6	BOTTOM CAGE	1	SUS	
7	MID CAGE	1	COPPER ALLOY	NI 50U" MIN
8	LIGHT PIPES-01	1	POLYCARBONATE	TRANSPARENT

REV.	ECN. NO.	DRAWN	DATE	EC.content
A.0	NEW	Liqiqing	19/08/2020	

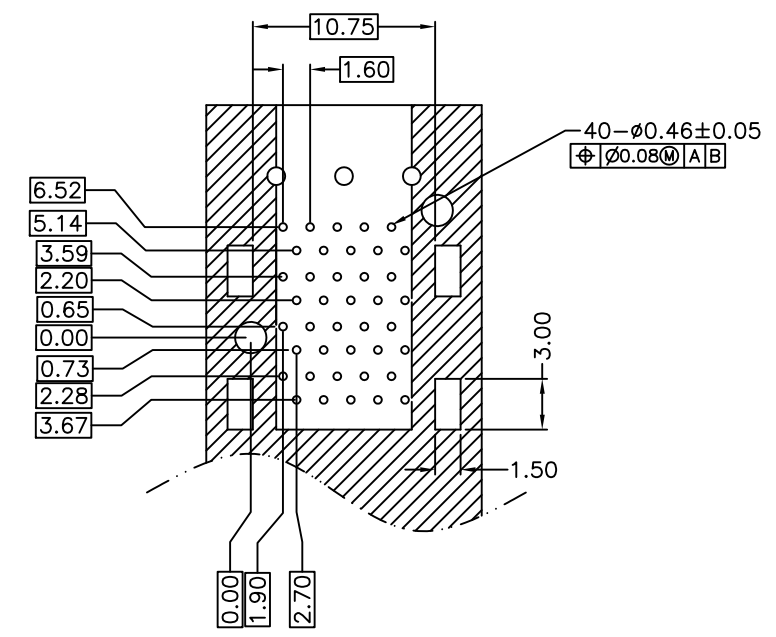
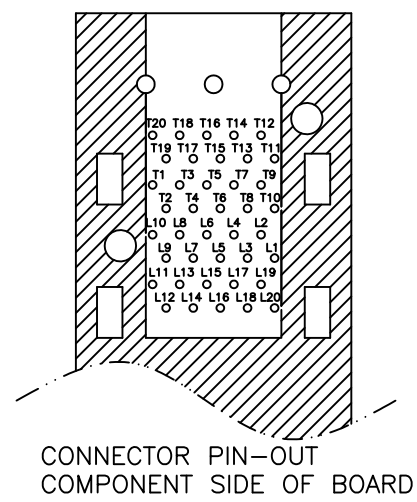
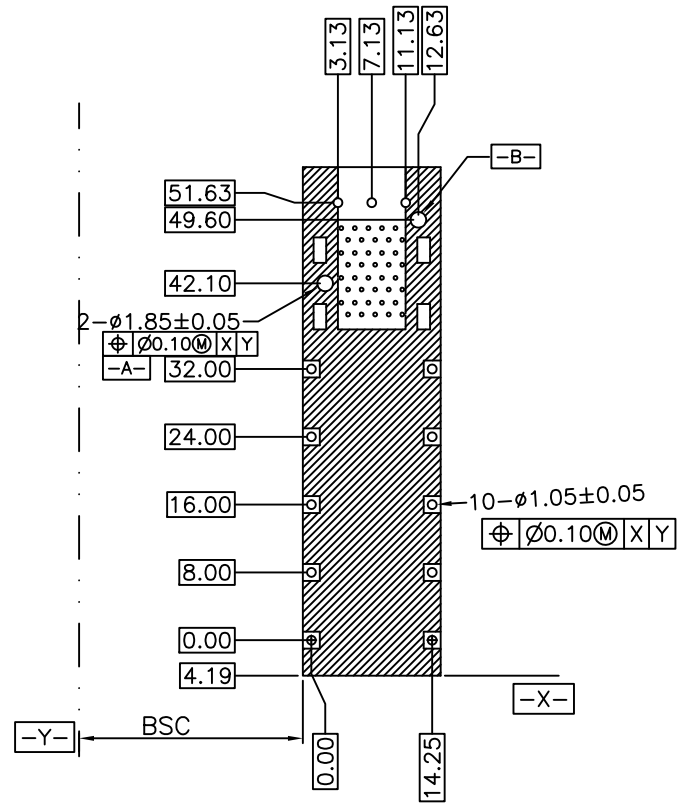


APPROVED		GENERAL TOLERANCE .X± 0.35 X.'± 2' .XX± 0.25 .X'± 1' .XXX± 0.15	PART NO.: SFP21-2140-F220-01		
CHECKED			TITLE:SFP+ 2X1 CAGE+CONNECTOR 15U"+LIGHT PIPE		
DRAWN			UNIT: mm	SCALE: 1:1	SHEET: 1/3
				REV.: A.0	

說明: △ :備註 ◇ :版本變更 ① :尺寸序號 ■ :重點尺寸 ▼ :CPK尺寸

DOCUMENT NO. : ZER0013/A.3

1 2 3



NOTES:
1.DATUM AND BASIC DIMENSIONS ESTABLISHED BY CUSTOMSR.
2.1.05mm DIAMETER HOLES ARE CHASSIS GROUND.

REV.	ECN. NO.	DRAWN	DATE	EC.content
A.0	NEW	Liqiqing	19/08/2020	



⊗:QUALITY CONTROL ITEM		GENERAL TOLERANCE		PART NO.: SFP21-2140-F230-01		
APPROVED		.X± 0.35	X.*± 2'	TITLE:SFP+ 2X1 CAGE+CONNECTOR 15U"+LIGHT PIPE		
CHECKED		.XX± 0.25	.X*± 1'			
DRAWN		.XXX± 0.15				
		UNIT: mm	SCALE: 1:1	SHEET: 2/3	REV.: A.0	

說明: △:備註 ◇:版本變更 (N):尺寸序號 ■:重點尺寸 ▼:CPK尺寸

DOCUMENT NO. : ZER0013/A.3

1 2 3 4 5 6 7 8

F

E

D

C

B

A

F

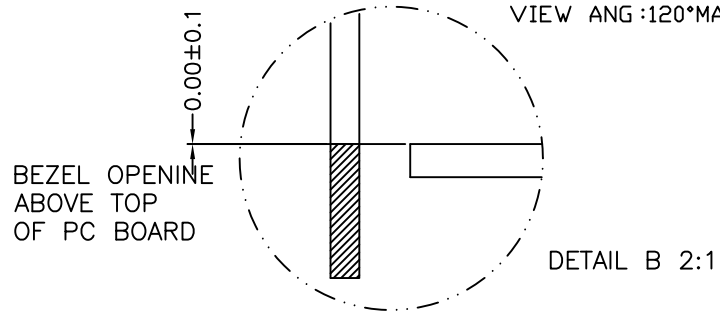
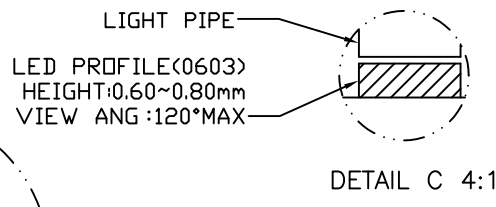
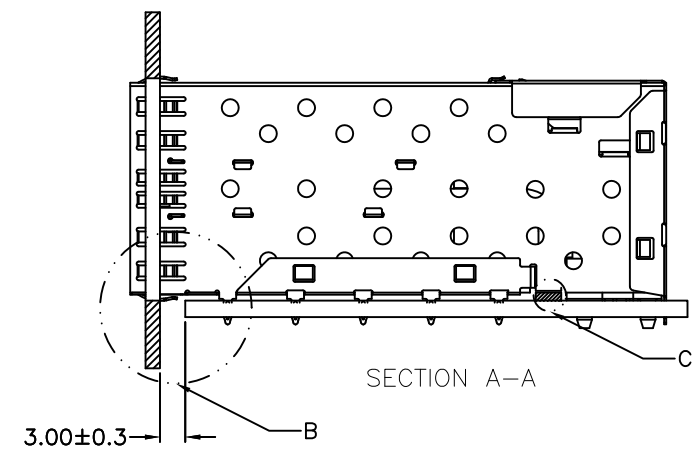
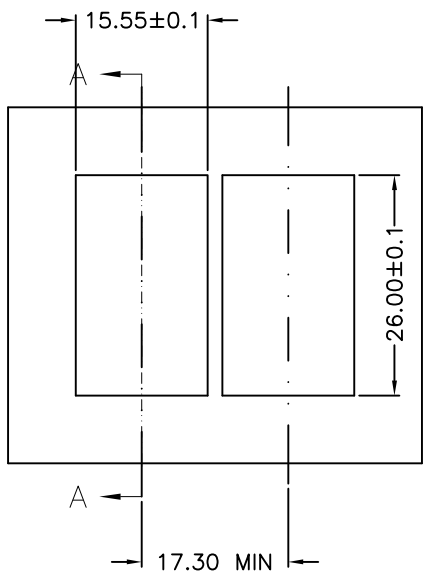
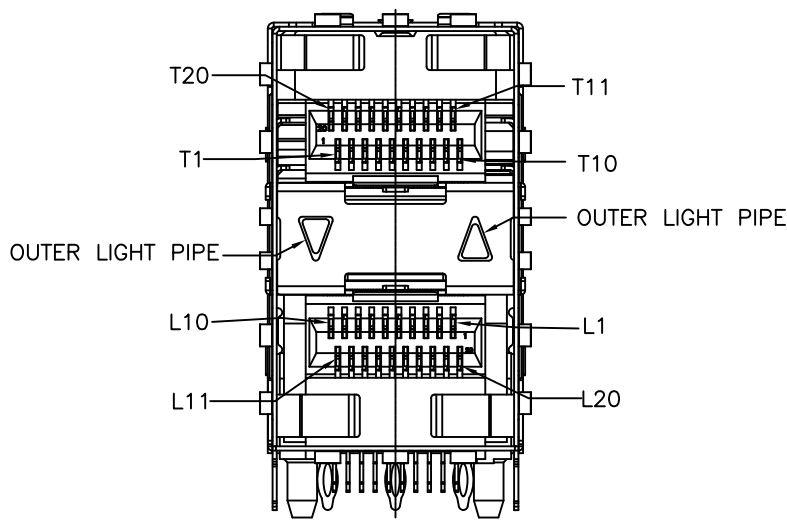
F

D

C

DIE ON:YK238

SIZE: A4



REV.	ECN. NO.	DRAWN	DATE	EC.content
A.0	NEW	Liqiqing	19/08/2020	



⊗:QUALITY CONTROL ITEM		GENERAL TOLERANCE		PART NO.: SFP21-2140-F230-01		
APPROVED		.X± 0.35	X.*± 2'	TITLE:SFP+ 2X1 CAGE+CONNECTOR 15U"+LIGHT PIPE		
CHECKED		.XX± 0.25	.X*± 1'			
DRAWN		.XXX± 0.15				
		UNIT: mm		SCALE: 1:1	SHEET: 3/3	REV.: A.0