

1 2 3 4 5 6 7 8

F

E

D

C

B

A

F

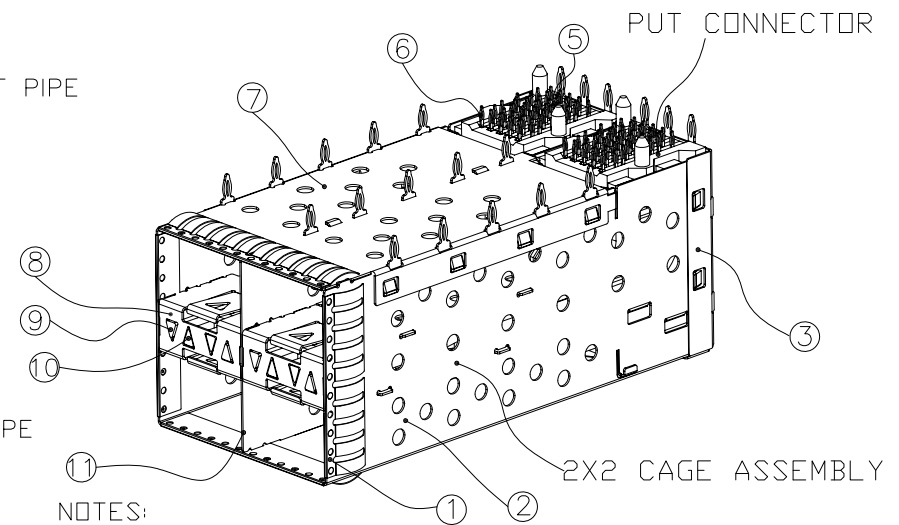
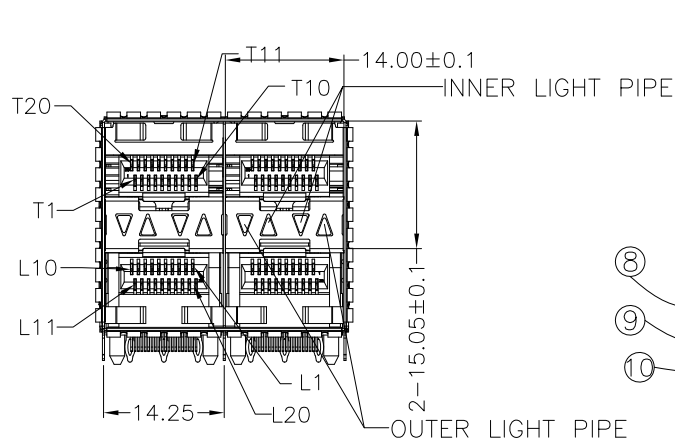
E

D

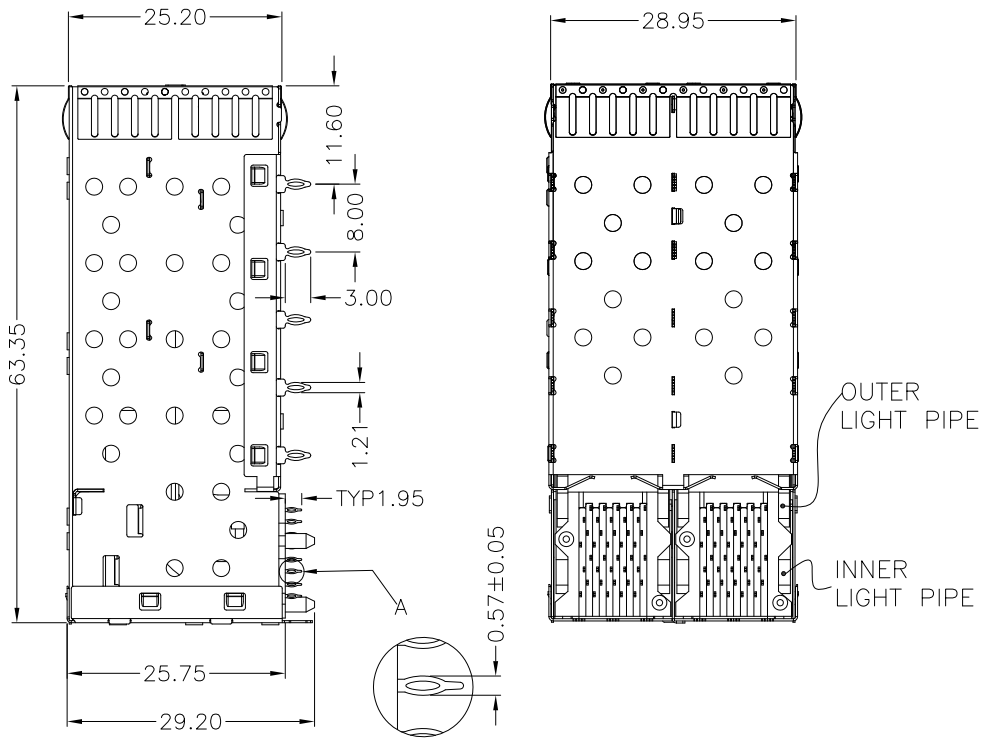
C

DIE ON:YK238

SIZE: A4



NOTES:
 MECHANICAL REQUIREMENT:
 1.DURABILITY:100CYCLES MIN
 2.INSERTION ANDEXTRACTION FORCE :40N MAX&11.5N MIN
 ENVIRONMENTAL:
 1.TEMPERATIRE RANGE:-40°TO+85°C
 2.STORAGE:-55°TO+105°C
 3.PACKAGING:TRAY PACKAGING



ITEM	PARTS NAME	Q'TY	MATERIAL	FINISH/REMARK
1	FRONT CAGE	4	SUS	NI 50U" MIN
2	TOP CAGE	1	COPPER ALLOY	NI 50U" MIN
3	BACK CAGE	1	COPPER ALLOY	NI 50U" MIN
4	HOUSING	2	TEMPERATURE PLASTIC	BLACK
5	INSERT	20	TEMPERATURE PLASTIC	BLACK
6	TERMINAL	20	COPPER ALLOY	AU 15U" MIN
7	BOTTOM CAGE	1	SUS	
8	MID CAGE	2	COPPER ALLOY	NI 50U" MIN
9	LIGHT PIPES-01	2	POLYCARBONATE	TRANSPARENT
10	LIGHT PIPES-02	2	POLYCARBONATE	TRANSPARENT
11	SEPTUM	1	COPPER ALLOY	NI 50U" MIN

REV.	ECN. NO.	DRAWN	DATE	EC.content
A.0	NEW	Liqiqing	09/09/2020	



⊗:QUALITY CONTROL ITEM		GENERAL TOLERANCE .X± 0.13 X.'± 2' .XX± 0.08 .X"± 1" .XXX± 0.05		PART NO.: SFP24-2140-XXXX-XX		
APPROVED				TITLE:SFP+ 2X4 CAGE+CONNECTOR		
CHECKED				15U"+LIGHT PIPE		
DRAWN		UNIT: mm		SCALE: 1:1	SHEET: 1/3	REV.: A.0

1 2 3 說明: △ :備註 ◇ :版本變更 ① :尺寸序號 ■ :重點尺寸 ▼ :CPK尺寸 DOCUMENT NO. : ZER0013/A.3

1 2 3 4 5 6 7 8

F

E

D

C

B

A

F

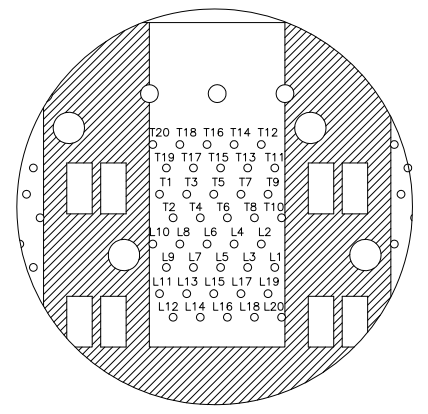
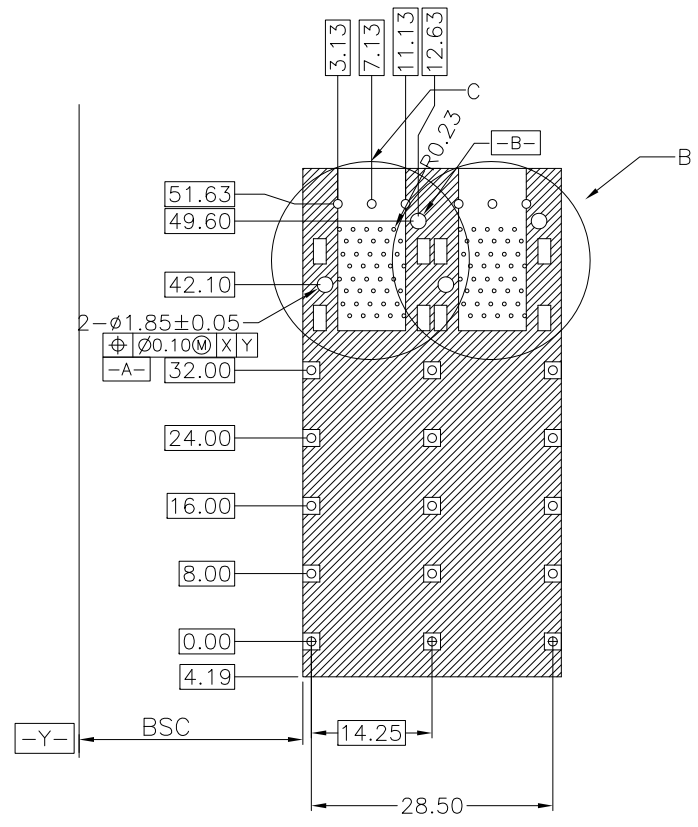
E

D

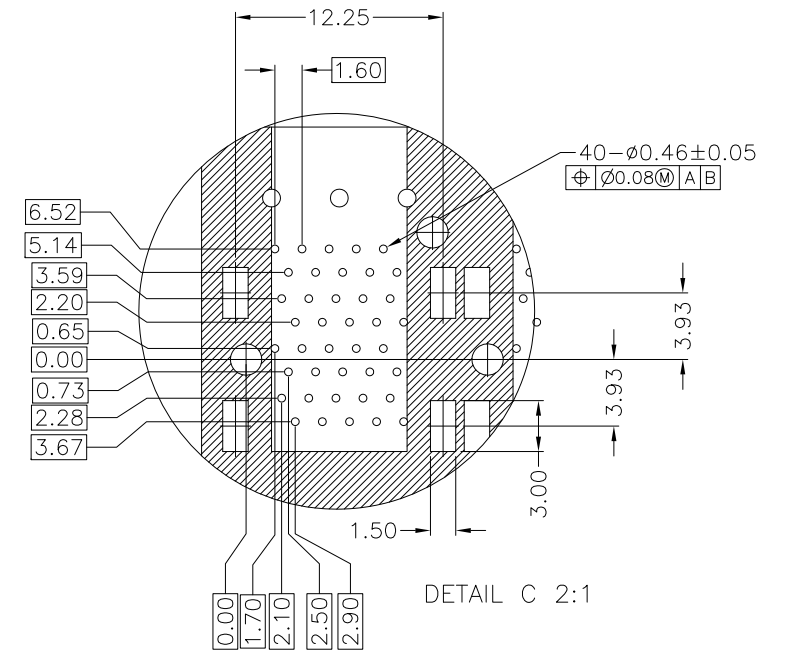
C

DIE ON:YK238

SIZE: A4



CONNECTOR PIN-OUT
COMPONENT SIDE OF BOARD
DETAIL B 2:1



DETAIL C 2:1

REV.	ECN. NO.	DRAWN	DATE	EC.content
A.0	NEW	Liqiqing	09/09/2020	



⊗:QUALITY CONTROL ITEM	GENERAL TOLERANCE .X± 0.13 X.*± 2* .XX± 0.08 .X*± 1* .XXX± 0.05	PART NO.: SFP24-2140-XXXX-XX TITLE:SFP+ 2X4 CAGE+CONNECTOR 15U"+LIGHT PIPE
APPROVED		
CHECKED		
DRAWN	UNIT: mm	SCALE: 1:1 SHEET: 2/3 REV.: A.0

說明: △:備註 ◇:版本變更 ⊙:尺寸序號 ■:重點尺寸 ▼:CPK尺寸

DOCUMENT NO. : ZER0013/A.3

1 2 3

1 2 3 4 5 6 7 8

F

E

D

C

B

A

F

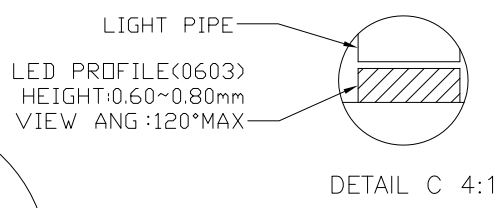
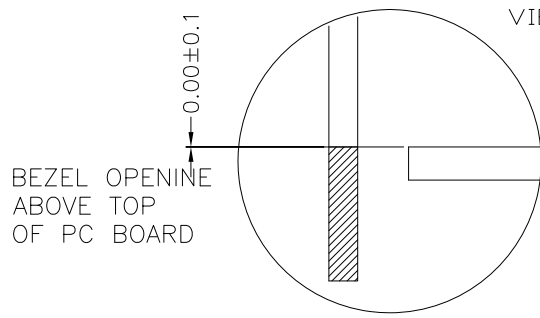
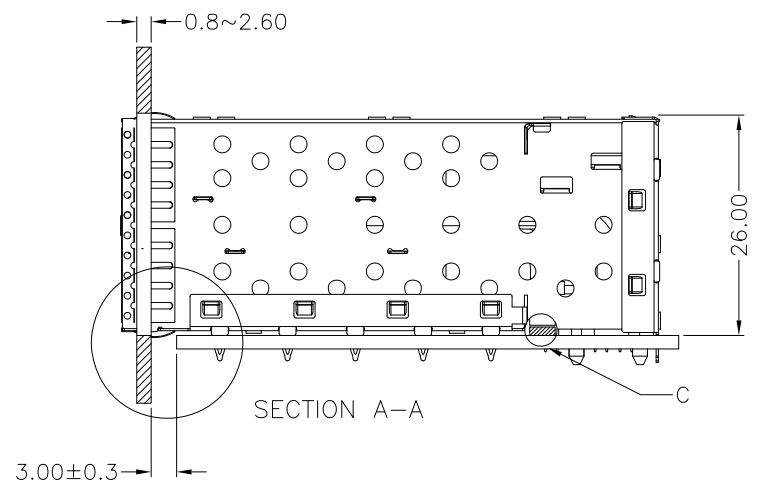
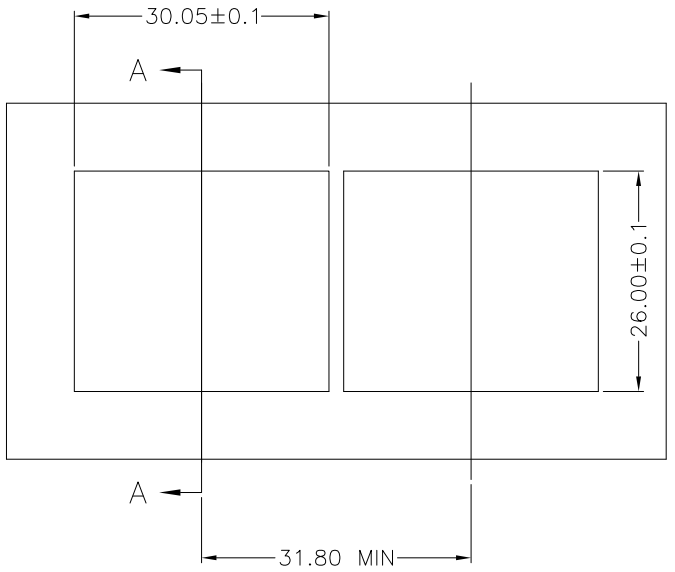
E

D

C

DIE ON:YK238

SIZE: A4



REV.	ECN. NO.	DRAWN	DATE	EC.content
A.0	NEW	Liqiqing	09/09/2020	



⊗:QUALITY CONTROL ITEM		GENERAL TOLERANCE		PART NO.: SFP24-2140-XXXX-XX		
APPROVED		.X± 0.13	X.'± 2'	TITLE:SFP+ 2X4 CAGE+CONNECTOR 15U"+LIGHT PIPE		
CHECKED		.XX± 0.08	.X"± 1"			
DRAWN		.XXX± 0.05				
		UNIT: mm		SCALE: 1:1	SHEET: 3/3	REV.: A.0