

1 2 3 4 5 6 7 8

F

E

D

C

B

A

F

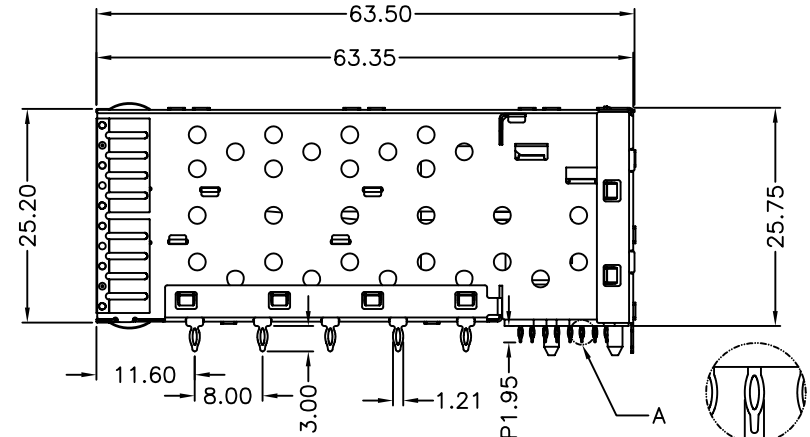
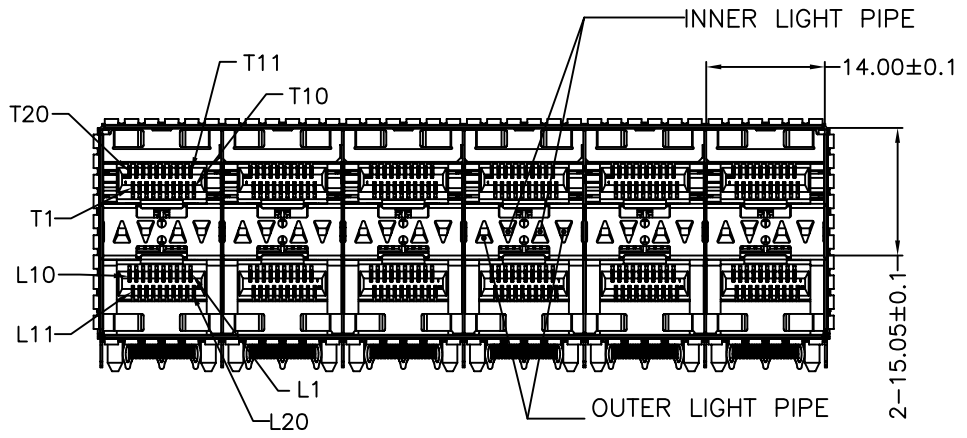
F

D

C

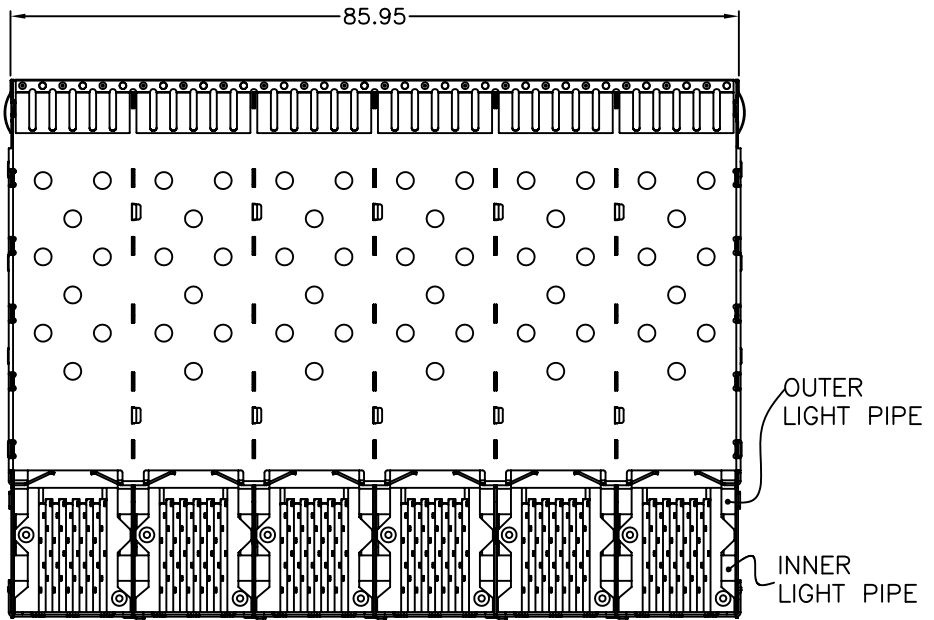
DIE ON:YK238

SIZE: A4



NOTES:  
 MECHANICAL REQUIREMENT:  
 1.DURABILITY:100CYCLES MIN  
 2.INSERTION ANDEXTRACTION FORCE :40N MAX&11.5N MIN  
 ENVIRONMENTAL:  
 1.TEMPERATIRE RANGE:-40°TO+85°C  
 2.STORAGE:-55°TO+105°C  
 3.PACKAGING:TRAY PACKAGING

DETAIL A4:1  
 0.57±0.05



ITEM	PARTS NAME	Q'TY	MATERIAL	FINISH/REMARK
1	FRONT CAGE	4	SUS	
2	TOP CAGE	1	COPPER ALLOY	NI 50U" MIN
3	BACK CAGE	1	COPPER ALLOY	NI 50U" MIN
4	HOUSING	6	TEMPERATURE PLASTIC	BLACK
5	INSERT	60	TEMPERATURE PLASTIC	BLACK
6	TERMINAL	60	COPPER ALLOY	AU 15U" MIN
7	BOTTOM CAGE	1	SUS	
8	MID CAGE	6	COPPER ALLOY	NI 50U" MIN
9	LIGHT PIPES-01	6	POLYCARBONATE	TRANSPARENT
10	LIGHT PIPES-02	6	POLYCARBONATE	TRANSPARENT
11	SEPTUM	5	COPPER ALLOY	NI 50U" MIN

REV.	ECN. NO.	DRAWN	DATE	EC.content
A.0	NEW	Liqiqing	12/05/2020	



⊗:QUALITY CONTROL ITEM		GENERAL TOLERANCE .X± 0.13 X.'± 2' .XX± 0.08 X."± 1" .XXX± 0.05		PART NO.: SFP26-2140-XXXX-XX		
APPROVED				TITLE:SFP+ 2X6 CAGE+CONNECTOR		
CHECKED				15U"+LIGHT PIPE		
DRAWN		UNIT: mm		SCALE: 1:1	SHEET: 1/3	REV.: A.0

1 2 3

說明: △:備註 ◇:版本變更 ②:尺寸序號 ■:重點尺寸 ▼:CPK尺寸

DOCUMENT NO. : ZER0013/A.3

1 2 3 4 5 6 7 8

F

E

D

C

B

A

F

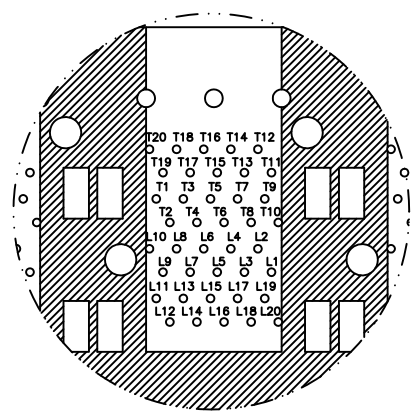
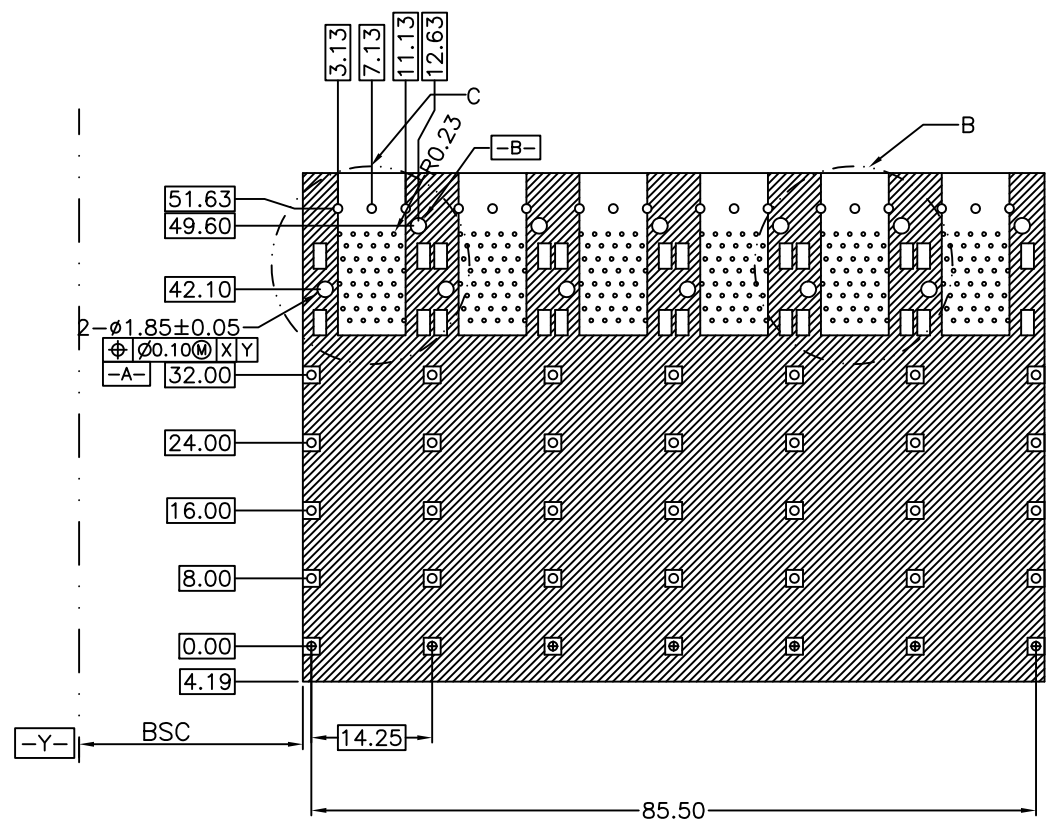
E

D

C

DIE ON:YK238

SIZE: A4



CONNECTOR PIN-OUT  
COMPONENT SIDE OF BOARD  
DETAIL B 2:1

REV.	ECN. NO.	DRAWN	DATE	EC.content
A.0	NEW	Liqiqing	12/05/2020	



⊗:QUALITY CONTROL ITEM APPROVED CHECKED DRAWN		GENERAL TOLERANCE .X± 0.13 X.*± 2* .XX± 0.08 X.*± 1* .XXX± 0.05	PART NO.: SFP26-2140-XXXX-XX TITLE:SFP+ 2X6 CAGE+CONNECTOR 15U"+LIGHT PIPE
		UNIT: mm	SCALE: 1:1 SHEET: 2/3 REV.: A.0

說明: △:備註 ◇:版本變更 ①:尺寸序號 ■:重點尺寸 ▼:CPK尺寸

DOCUMENT NO. : ZER0013/A.3

1 2 3

1 2 3 4 5 6 7 8

F

E

D

C

B

A

F

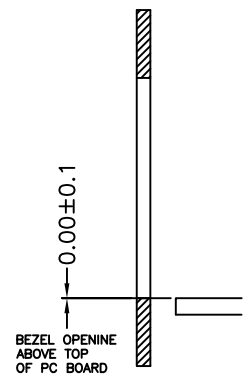
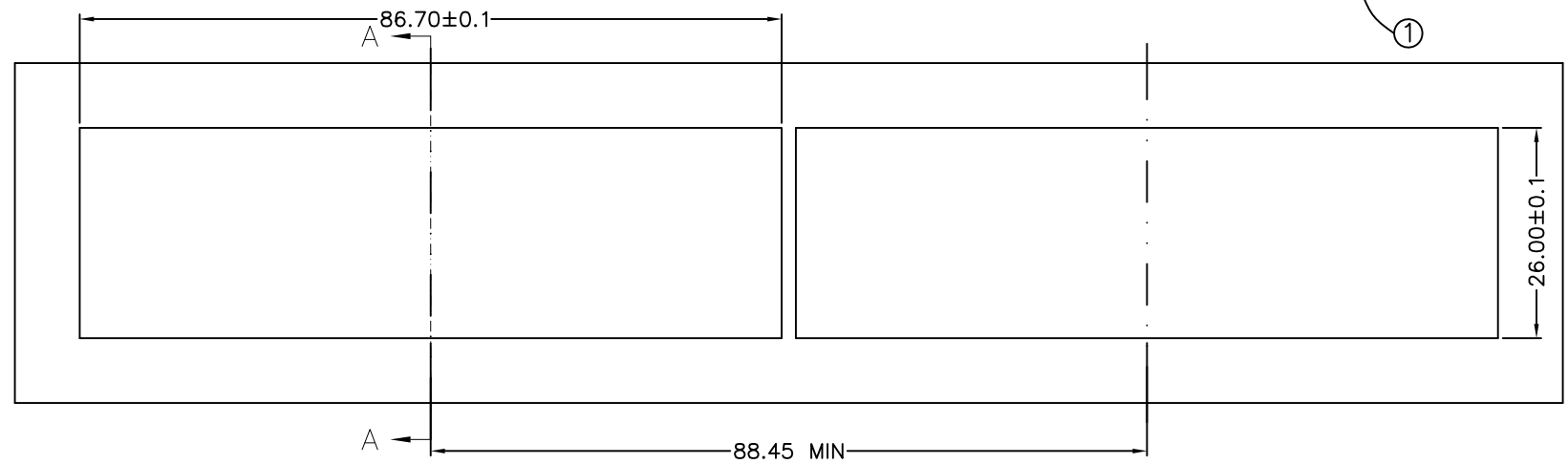
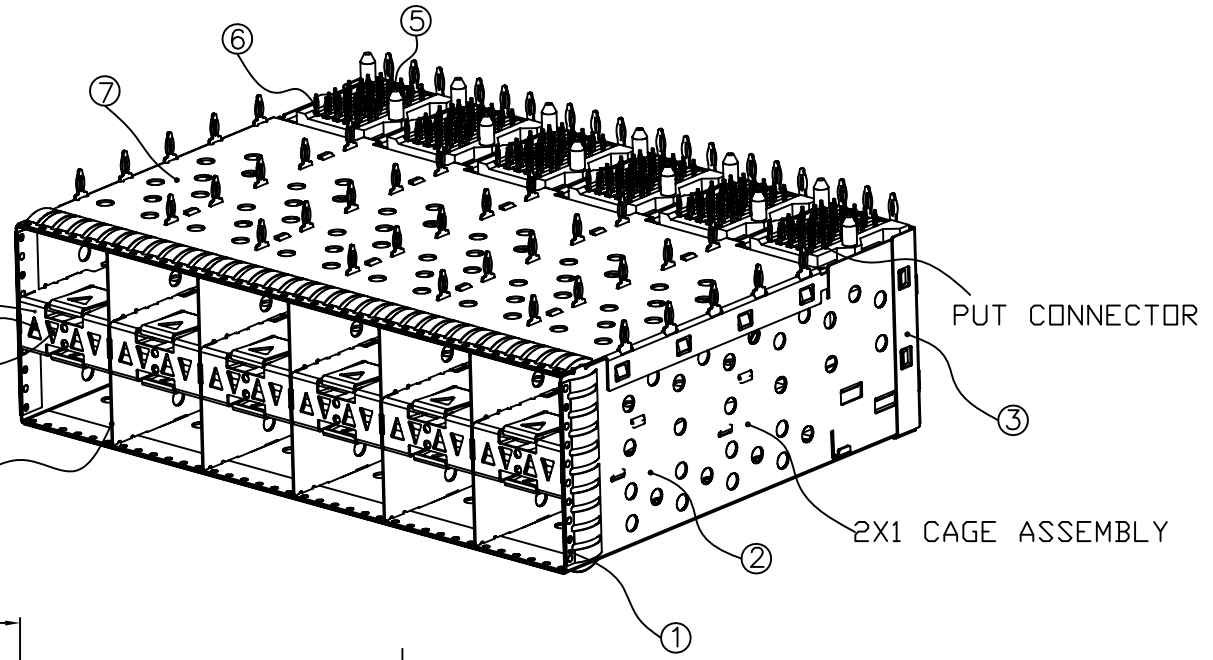
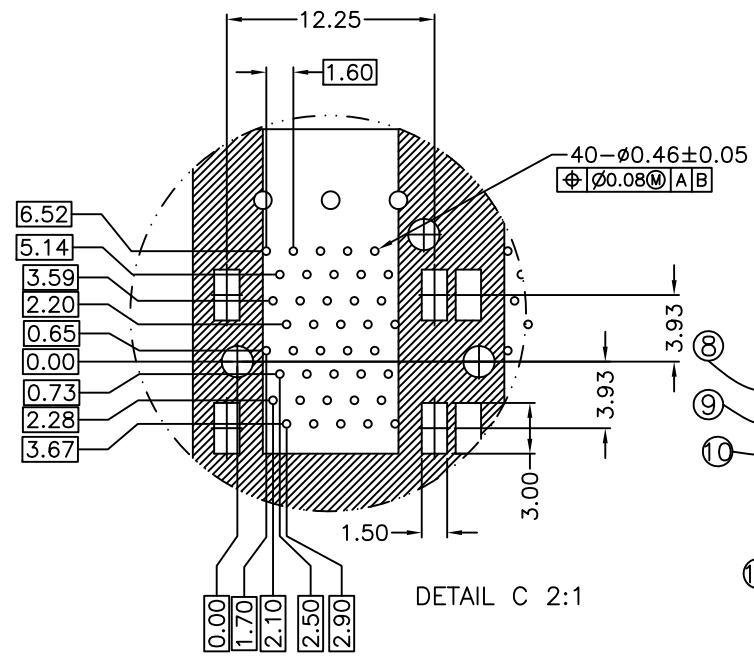
E

D

C

DIE ON:YK238

SIZE: A4



RECOMMENDED PANEL CUTOUT AND PC BOARD PANEL POSITION

REV.	ECN. NO.	DRAWN	DATE	EC.content
A.0	NEW	Liqiqing	12/05/2020	



⊗:QUALITY CONTROL ITEM	
APPROVED	
CHECKED	
DRAWN	

GENERAL TOLERANCE	
.X ± 0.13	X.* ± 2'
.XX ± 0.08	.X* ± 1'
.XXX ± 0.05	

PART NO.: SFP26-2140-XXXX-XX			
TITLE: SFP+ 2X6 CAGE+CONNECTOR			
15U"+LIGHT PIPE			
UNIT: mm	SCALE: 1:1	SHEET: 3/3	REV.: A.0

1 2 3

說明: △:備註 ◇:版本變更 ⊙:尺寸序號 ■:重點尺寸 ▼:CPK尺寸

DOCUMENT NO. : ZER0013/A.3