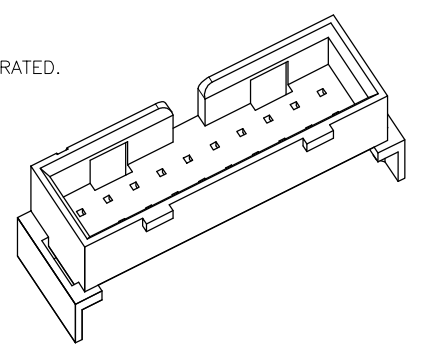


1. ALL DIMENSIONS ARE IN "MM" .
2. MATERIAL: THERMOPLASTIC,30% GLASS FIBER FILLED. UL94-V0 RATED.
3. 0.03 MM (MAX.) FOR BURRS.
4. ■ MAJOR DIMENSION.
5. PART COMPLIANT TO ROHS DIRECTIVE 2011/65/EU.
6. 模穴数16穴.
7. 过R240°后,无起泡变色,共平面度0.10MAX.
8. PART NO. DESCRIPTION

A-010-XX01-A

MATERIAL
 6:PA66有鹵
 P:PBT 4830
 F:PA66無鹵
 COLOR:
 W:WHITE
 B:BLACK
 3:BLUE(300C)



REV.	ECN. NO.	DRAWN	DATE	EC.content
A.0	NEW	WXing	10/13/2016	



⊗: QUALITY CONTROL ITEM		GENERAL TOLERANCE .X± 0.1 X.*± 2' .XX± 0.05 .X.*± 1'		PART NO.: A-010-XX01-A		
APPROVED				TITLE:USB HD HOUSING		
CHECKED						
DRAWN		UNIT: mm		SCALE: 1:1	SHEET: 1/1	REV.: A.0