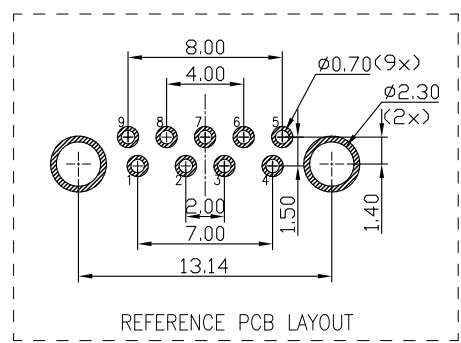
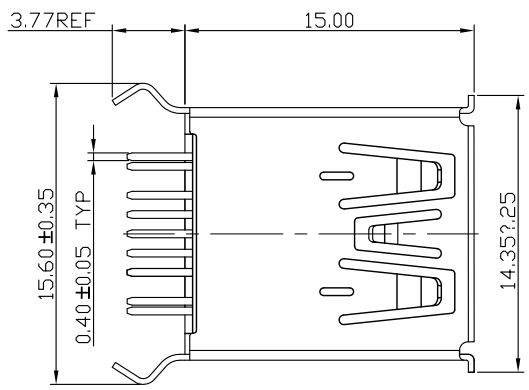
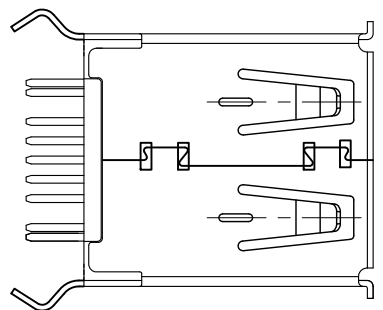
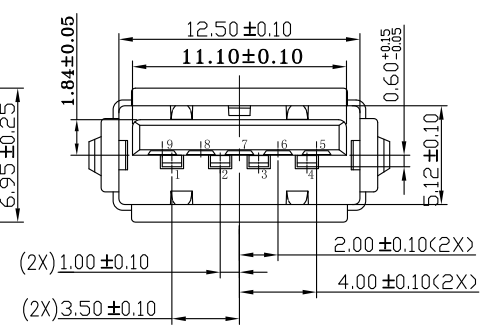
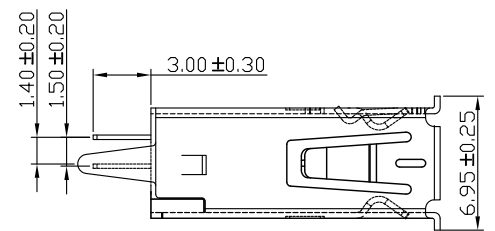
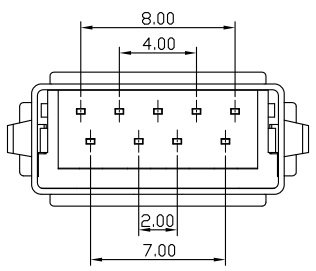


F
E
D
C
B
A

F
E
D
C
B
A



SPECIFICATIONS:
 Contact current Rating:
 1.8 Amperes for pin1&pin4.
 0.25 Amperes other contacts
 Dielectric Withstanding Voltage:AC 100V(RMS)
 Insulation resistance:100Megohms Minimum.
 Contact Resistance:
 30mΩMax for pin1&pin4
 50mΩMax for other contacts
 Mechanical Characteristics:
 Mating Force:35 Newtons.Maximum
 Unmating Force:10 Newtons.Minimum.
MATERIAL: 8N Min After Durability
 Housing: PBT+30%GF 94V-0 COLOR:BLUE
 Contact: copper alloy(T=0.25mm)
 Shell: Brass
PLATING:
 Contact: Au Plated on contact area
 Tin Plated on solder area
 Nickel underplating over all
 Shell: Nickel Plated
 operating Temperature:-55°to+85°



料号备注

YK-CU3 F 025 D XX T XX X

- 12=半金雾锡1U"
- 13=半金雾锡3U"
- 14=半金雾锡5U"
- 15=半金雾锡15U"
- 16=半金雾锡30U"
- 00=PBT蓝 铜壳镀镍
- 01=PBT蓝 铁壳镀镍
- 02=LCP蓝 铜壳镀镍
- 03=PA9T蓝 铜壳镀镍
- 04=PBT蓝 铜壳镀金
- 05=LCP蓝 铁壳镀镍
- R=ROHS2.0标准
- W=无卤+ROHS2.0
- H=REACH标准

REV.	ECN. NO.	DRAWN	DATE	EC.content
A	NEW	LLDONG	05/20/2016	-



⊗: QUALITY CONTROL ITEM	GENERAL TOLERANCE .X± 0.38 X.'± 2' .XX± 0.25 .X'± 1' .XXX± 0.13	PART NO.: YK-CU3F025D12T03R TITLE:USB 3.0 AF 180° DIP (有卷边弯脚, 脚长3.0)
APPROVED	UNIT: mm	SCALE: 1:1
CHECKED		SHEET: 1/1
DRAWN		REV.: A

SIZE: A4