

NOTES:
 MECHANICAL REQUIREMENT:
 1.DURABILITY:100CYCLES MIN
 2.INSERTION ANDEXTRACTION FORCE :40N MAX&11.5N MIN
 ENVIRONMENTAL:
 1.TEMPERATIRE RANGE:-40°TD+85°C
 2.STORAGE:-55°TD+105°C
 3.PACKAGING:TRAY PACKAGING

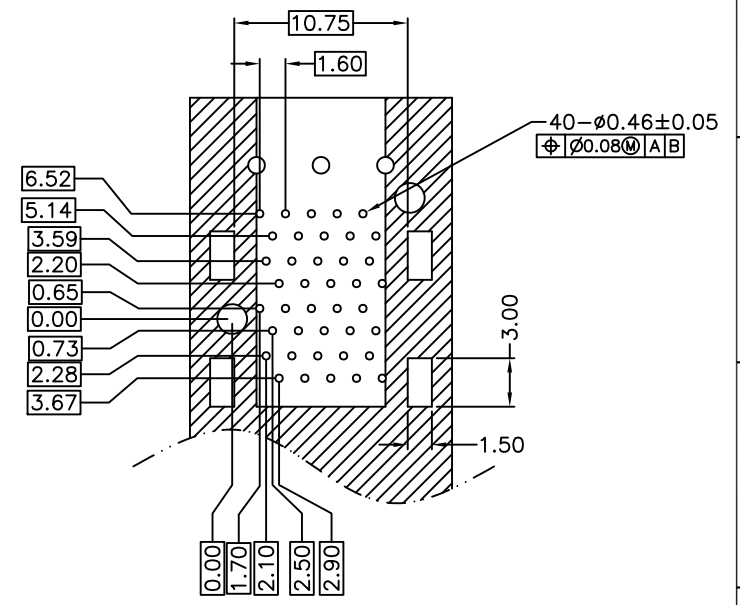
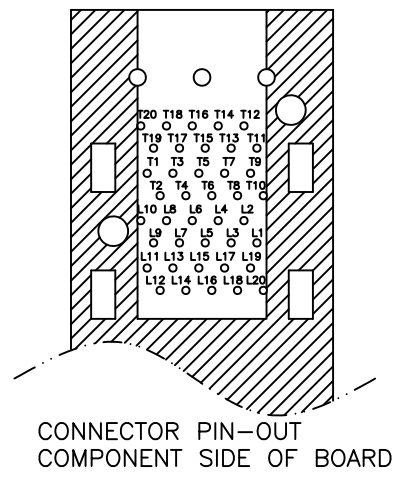
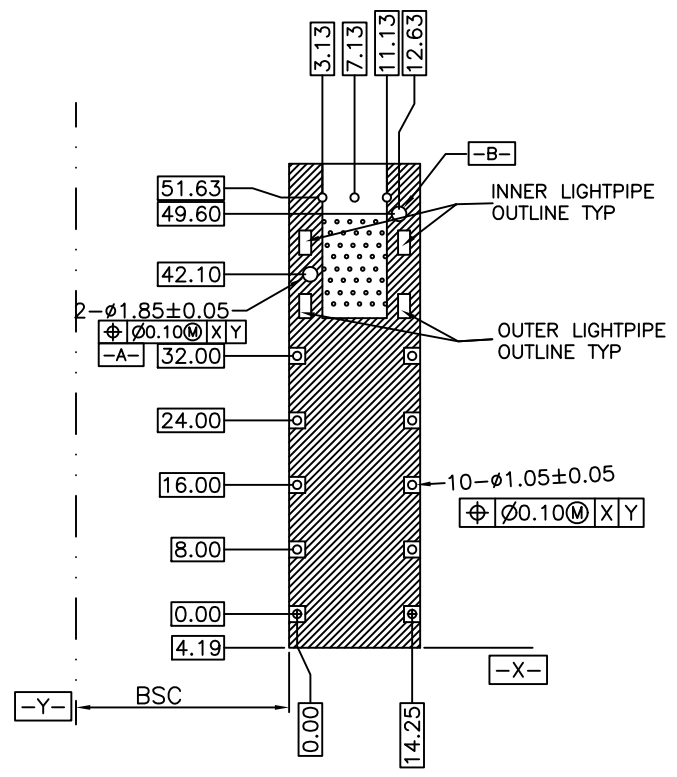
ITEM	PARTS NAME	Q'TY	MATERIAL	FINISH/REMARK
1	FRONT CAGE	2	SUS	
2	TOP CAGE	1	COPPER ALLOY	NI 50U" MIN
3	BACK CAGE	1	COPPER ALLOY	NI 50U" MIN
4	HOUSING	1	TEMPERATURE PLASTIC	BLACK
5	INSERT	10	TEMPERATURE PLASTIC	BLACK
6	TERMINAL	10	COPPER ALLOY	AU 15U" MIN
7	BOTTOM CAGE	1	SUS	
8	MID CAGE	1	COPPER ALLOY	NI 50U" MIN
9	LIGHT PIPES-02	1	POLYCARBONATE	TRANSPARENT

REV.	ECN. NO.	DRAWN	DATE	EC.content
A.0	NEW	Victor	09/06/2024	



⊗:QUALITY CONTROL ITEM	GENERAL TOLERANCE .X± 0.35 X.'± 2' .XX± 0.25 .X'± 1' .XXX± 0.15	PART NO.: SFP21-2140-F210-01 TITLE:SFP+ 2X1 CAGE+CONNECTOR 15U"+LIGHT PIPE
APPROVED		
CHECKED		
DRAWN	UNIT: mm	SCALE:1:1 SHEET: 1/3 REV.: A.0

DIE ON:YK238
SIZE: A4



NOTES:
1.DATUM AND BASIC DIMENSIONS ESTABLISHED BY CUSTOMSR.
2.1.05mm DIAMETER HOLES ARE CHASSIS GROUND.

REV.	ECN. NO.	DRAWN	DATE	EC.content
A.0	NEW	Victor	09/06/2024	

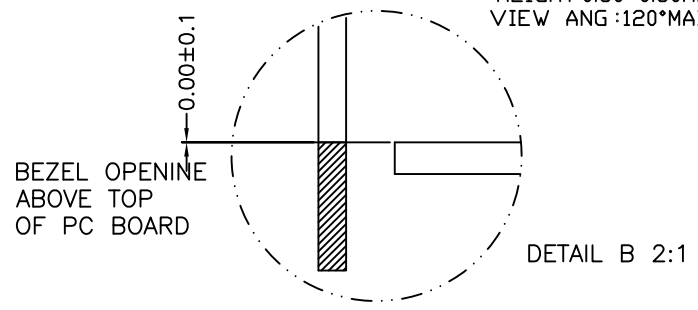
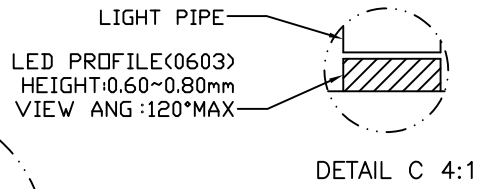
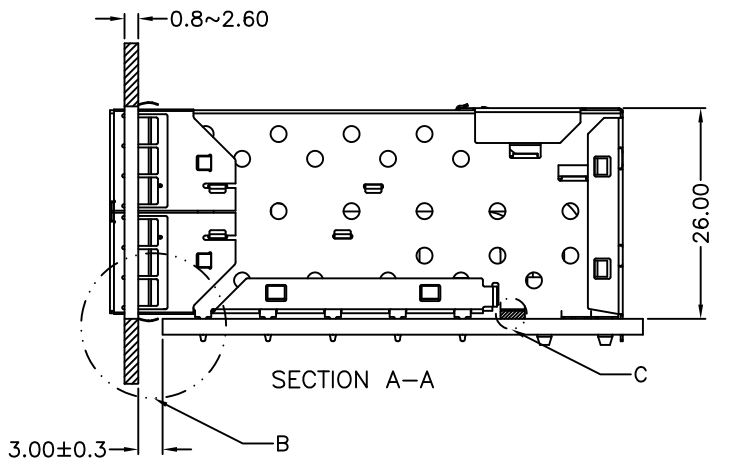
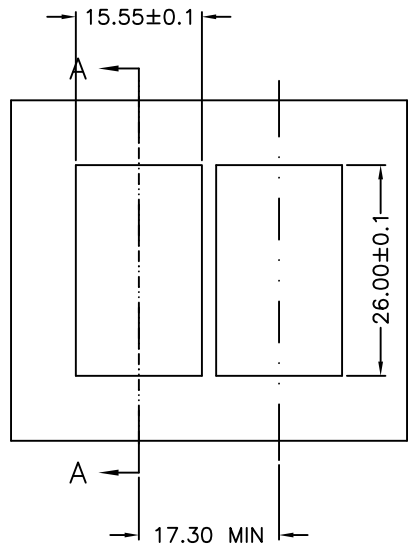
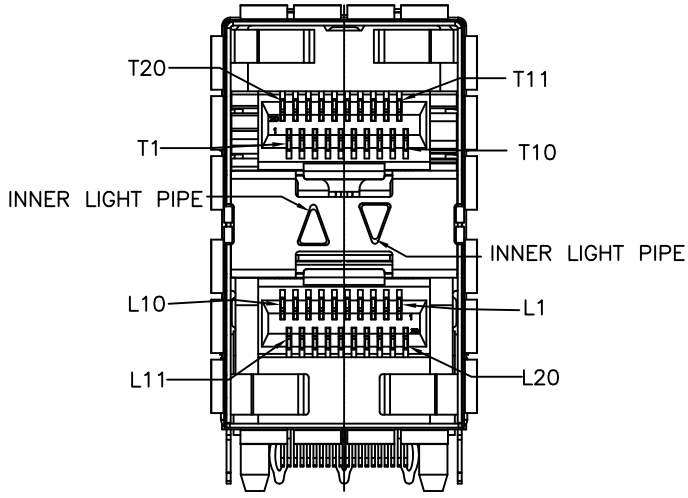


⊗:QUALITY CONTROL ITEM		GENERAL TOLERANCE		PART NO.: SFP21-2140-F210-01	
APPROVED		.X±0.35	X.'±2'	TITLE:SFP+ 2X1 CAGE+CONNECTOR	
CHECKED		.XX±0.25	.X'±1'	15U"+LIGHT PIPE	
DRAWN		.XXX±0.15		UNIT: mm	SCALE: 1:1
				SHEET: 2/3	REV.: A.0

1 2 3 4 5 6 7 8

F
E
D
C
B
A

F
E
D
C
B
A



REV.	ECN. NO.	DRAWN	DATE	EC.content
A.0	NEW	Victor	09/06/2024	



⊗: QUALITY CONTROL ITEM		GENERAL TOLERANCE		PART NO.: SFP21-2140-F210-01	
APPROVED		.X± 0.35	X.*± 2'	TITLE: SFP+ 2X1 CAGE+CONNECTOR 15U"+LIGHT PIPE	
CHECKED		.XX± 0.25	.X'± 1'		
DRAWN		.XXX± 0.15			
		UNIT: mm	⊕	SCALE: 1:1	SHEET: 3/3
				REV.: A.0	

DIE ON: YK238
SIZE: A4