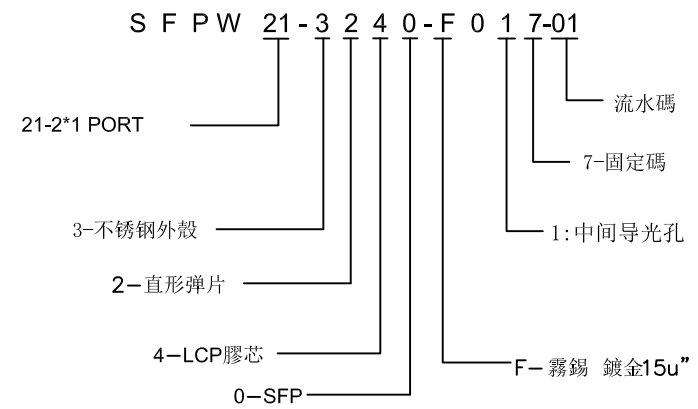


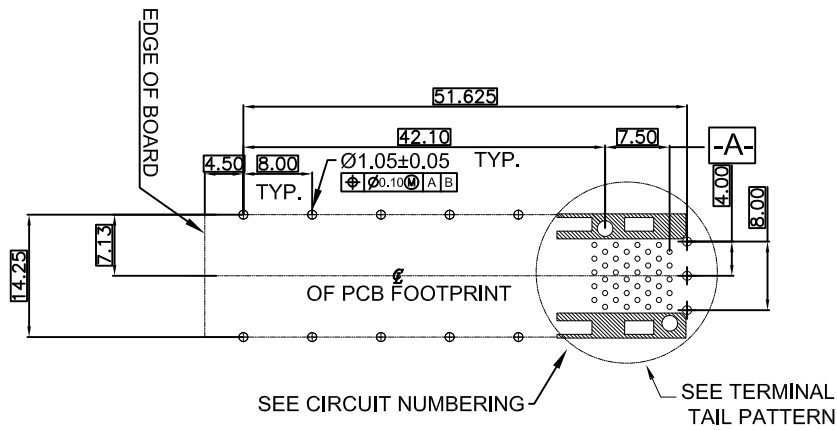
NOTES:  
 MATERIAL:  
 CAGE: STAINLESS STEEL 304 MIN NI-PLATED, THICKNESS 0.25MM  
 CONNECTOR:  
 PLASTIC: HOUSING: HIGH TEMPERATURE LCP, UL94V-0  
 SPRING: STAINLESS STEEL, THICKNESS 0.20MM  
 CONTACTS: PHOSPHOR BRONZE, THICKNESS 0.20MM  
 PLATING: 15U" MIN. GOLD ON MATING AREA,  
 150U" MIN. MATE TIN ON SOLDER TAILS,  
 PACKAGING: TRAY PACKAGING,  
 TEMPERATURE RANGE: -40°C TO +85°C  
 STORAGE TEMPERATURE: -55°C TO +105°C



REV.	ECN. NO.	DRAWN	DATE	EC.content
A.0	NEW	Candy	10/15/2024	

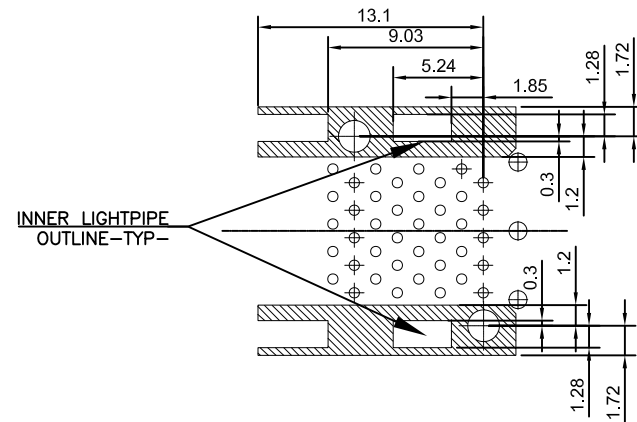


⊗ QUALITY CONTROL ITEM	GENERAL TOLERANCE .X±0.25 X.±2° .XX±0.15 .X'±1° .XXX±0.10	PART NO.: SFPW21-3240-F017-01
APPROVED		TITLE: SFP 2X1 CAGE CONNECTOR
CHECKED		SCALE: 1:1 SHEET: 1/4 REV.: A.0
DRAWN		



RECOMMENDED PCB LAYOUT - COMPONENT SIDE  
 RECOMMENDED PCB THICKNESS : 2.36MM(.093 INCH)  
 (MINIMUM PCB THICKNESS : 1.57)

THE ENTIRE AREA OF THE CONNECTOR FOOTPRINT  
 TO BE CONSIDERED THE KEEP OUT AREA FOR COMPONENTS  
 THIS AREA IS INDICATED BY THE DASHED LINE



DETAIL-KEEPOUT ZONES

THE HATCHED AREA IN THIS VIEW INDICATES ZONES  
 THAT ARE OCCUPIED BY THE PLASTIC HOUSING THAT  
 SEATS AGAINST THE PCB AND BY THE VERTICAL METAL  
 CAGE WALL THAT STOPS JUST SHORT OF THE PCB

REV.	ECN. NO.	DRAWN	DATE	EC.content
A.0	NEW	Candy	10/15/2024	

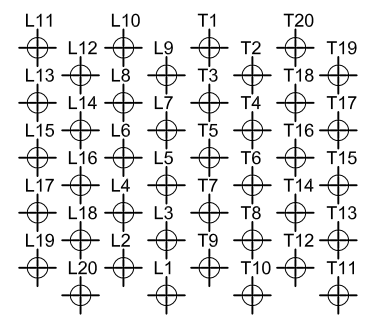
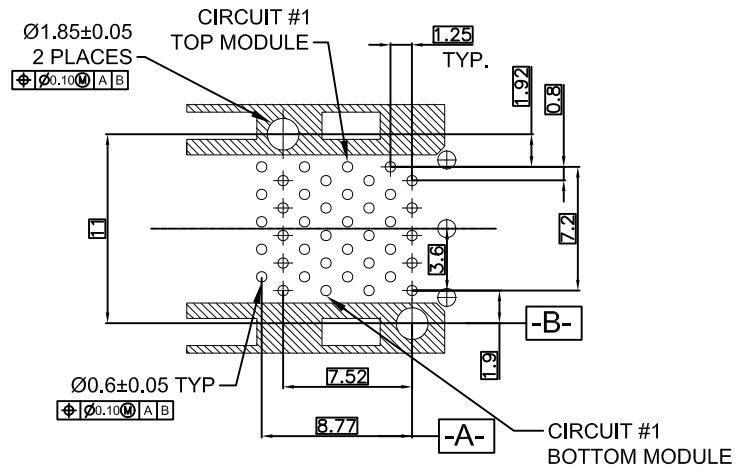


⊗: QUALITY CONTROL ITEM	GENERAL TOLERANCE	PART NO.: SFPW21-3240-F017-01
APPROVED	.X ± 0.38 X' ± 2'	TITLE:
CHECKED	.XX ± 0.25 X' ± 1'	SFP 2X1 CAGE CONNECTOR
DRAWN	.XXX ± 0.13	
	UNIT: mm	SCALE: 1:1
		SHEET: 2/4
		REV.: A.0

1 2 3 4 5 6 7 8

F  
E  
D  
C  
B  
A

F  
E  
D  
C  
B  
A



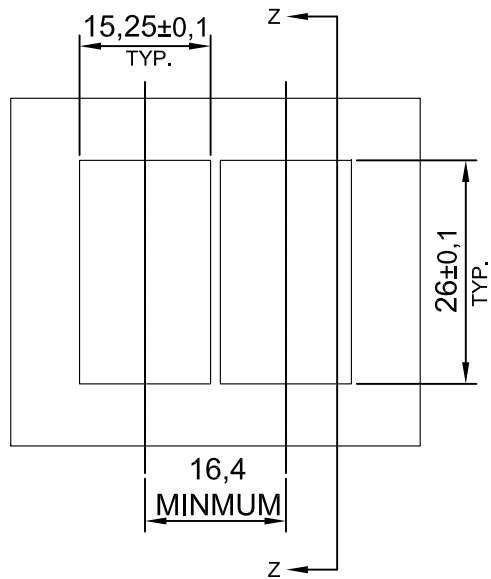
CIRCUIT NUMBERING  
COMPONENT SIDE OF BOARD

REV.	ECN. NO.	DRAWN	DATE	EC.content
A.0	NEW	Candy	10/15/2024	

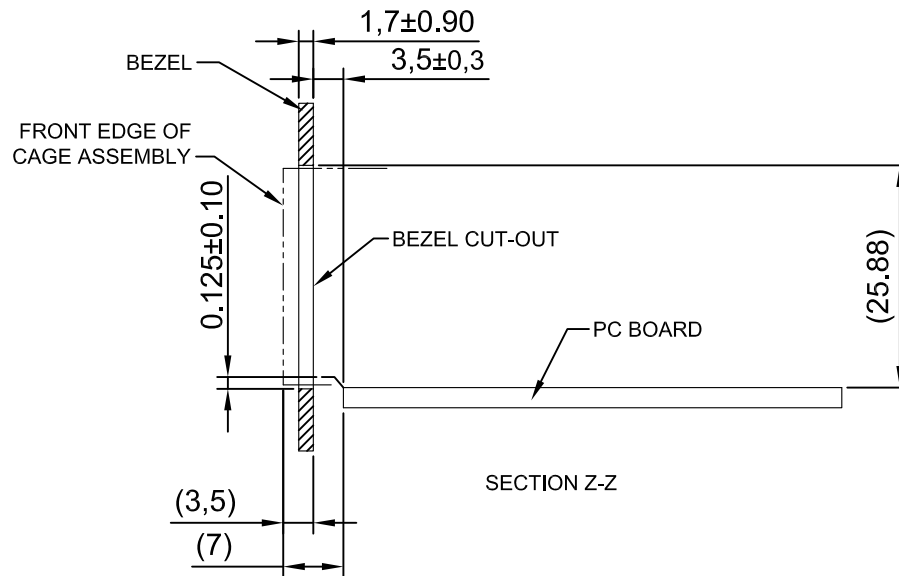


⊗: QUALITY CONTROL ITEM	GENERAL TOLERANCE .X± 0.38 X.'± 2' .XX± 0.25 .X'± 1' .XXX± 0.13	PART NO.: SFPW21-3240-F017-01
APPROVED		TITLE: SFP 2X1 CAGE CONNECTOR
CHECKED		
DRAWN	UNIT: mm	SCALE: 1:1 SHEET: 3/4 REV.: A.0

SIZE: A4



BEZEL CUT-OUT CENTER SPACING DETAIL



SECTION Z-Z

REV.	ECN. NO.	DRAWN	DATE	EC.content
A.0	NEW	Candy	10/15/2024	



⊗: QUALITY CONTROL ITEM		GENERAL TOLERANCE		PART NO.: SFPW21-3240-F017-01		
APPROVED		.X± 0.38	X.'± 2°	TITLE: SFP 2X1 CAGE CONNECTOR		
CHECKED		.XX± 0.25	.X'± 1°			
DRAWN		.XXX± 0.13				
		UNIT: mm		SCALE: 1:1	SHEET: 4/4	REV.: A.0