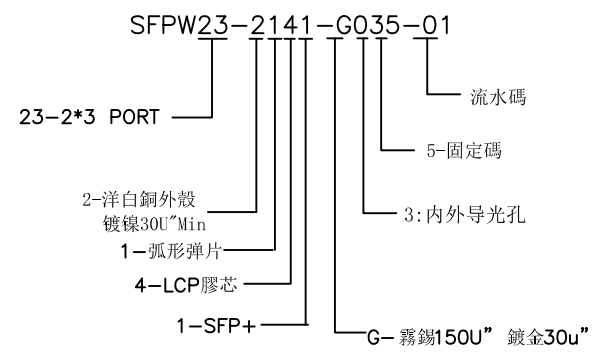
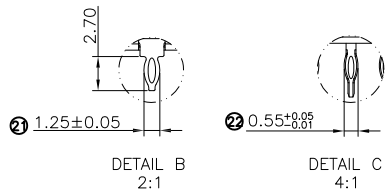
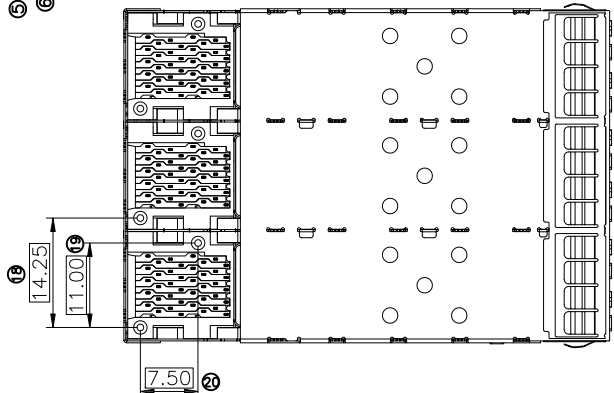
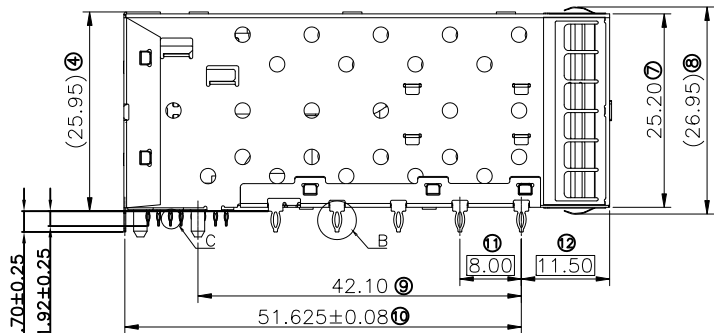
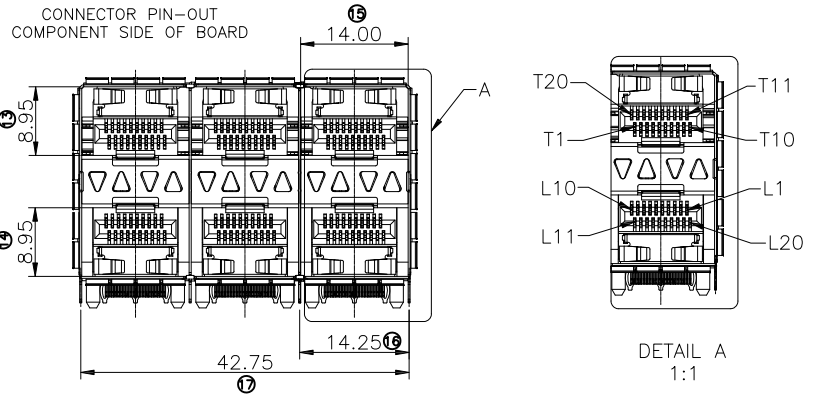


NOTES:  
 MATERIAL:  
 CAGE: COPPER ALLOY  
 CONNECTOR:  
 PLASTIC HOUSING: HIGH TEMPERATURE LCP, UL94 V-0.  
 LIGHT PIPE: POLYCARBONATE; COLOR: CLEAR  
 SPRING: STAINLESS STEEL  
 CONTACTS: PHOSPHOR BRONZE  
 CONTACT PLATING: 30u" MIN. GOLD ON MATING AREA,  
 150u" MATTE TIN ON SOLDER TAILS  
 PACKAGING: TRAY PACKAGING.  
 TEMPERATURE RANGE: -40°C TO +85°C  
 STORAGE TEMPERATURE: -55°C TO +105°C



REV.	ECN. NO.	DRAWN	DATE	EC.content
A.0	NEW	Candy	12/11/2024	



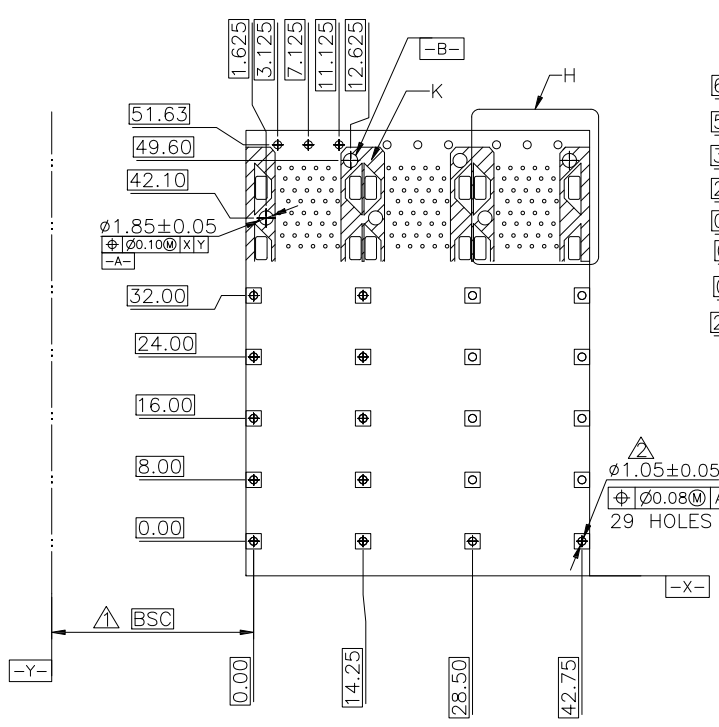
<input checked="" type="checkbox"/> : QUALITY CONTROL ITEM APPROVED CHECKED DRAWN	GENERAL TOLERANCE .X± 0.20 X.'± 2' .XX± 0.15 .X'± 1' .XXX± 0.10	PART NO.: SFPW23-2141-G035-01 TITLE: SFP+ 2X3 PRESS FIT CONNECTOR WITH INNER/OUTER LIGHT PIPES
UNIT: mm	SCALE: 1:1	SHEET: 1/3
		REV.: A.0

SIZE: A4

1 2 3 4 5 6 7 8

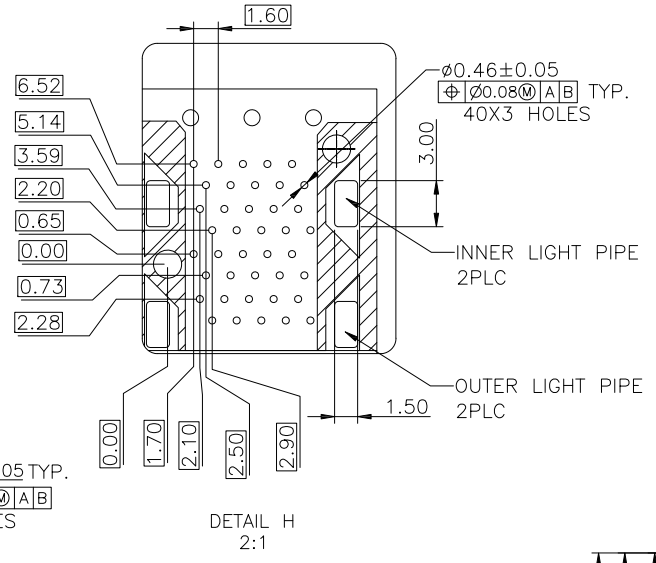
F  
E  
D  
C  
B  
A

F  
E  
D  
C  
B  
A



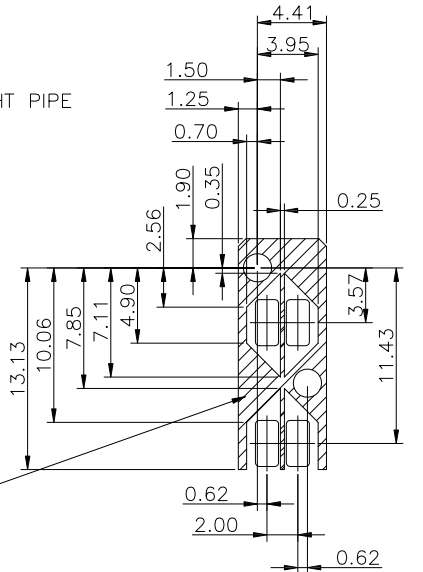
RECOMMENDED PCB CONFIGURATION

- NOTES:
1. DATUM AND BASIC DIMENSIONS ESTABLISHED BY CUSTOMER.
  2. 1.05 mm DIAMETER HOLES ARE CHASSIS GROUND.



DETAIL H  
2:1

THE ENTIRE AREA OF THE CONNECTOR FOOTPRINT TO BE CONSIDERED THE KEEP OUT AREA FOR COMPONENTS (OTHER THAN LIGHT PIPE LED'S) THIS AREA IS INDICATED BY THE ANSI31 LINE



DETAIL LIGHT PIPE LOCATION AND OTHER ZONES  
DETAIL K  
2:1

REV.	ECN. NO.	DRAWN	DATE	EC.content
A.0	NEW	Candy	12/11/2024	

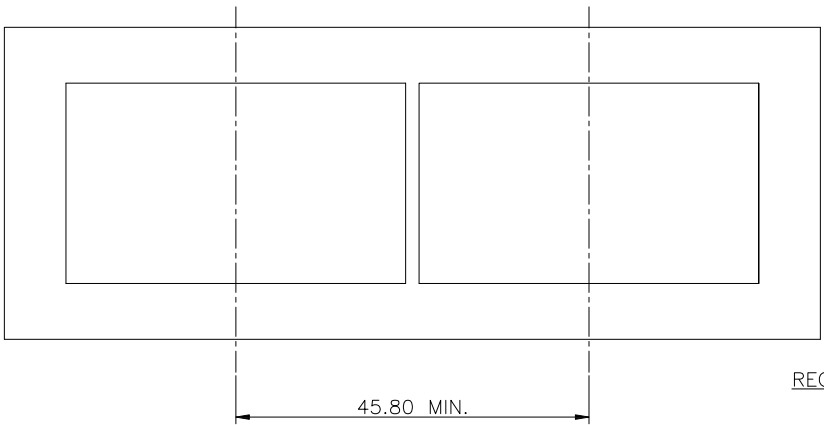
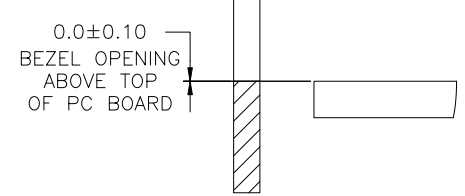
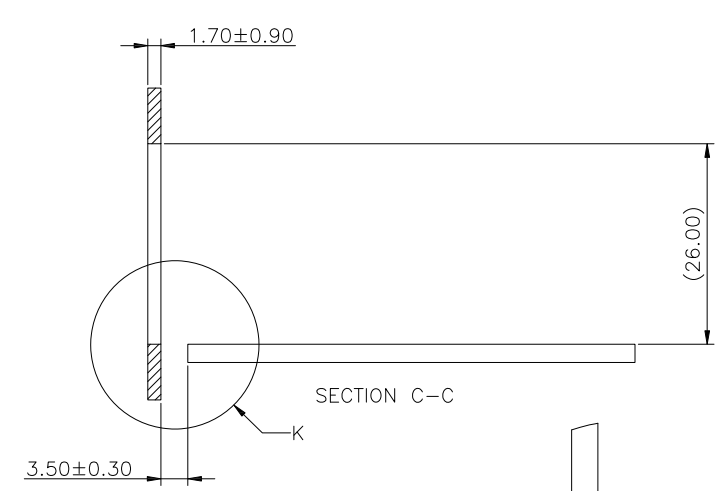
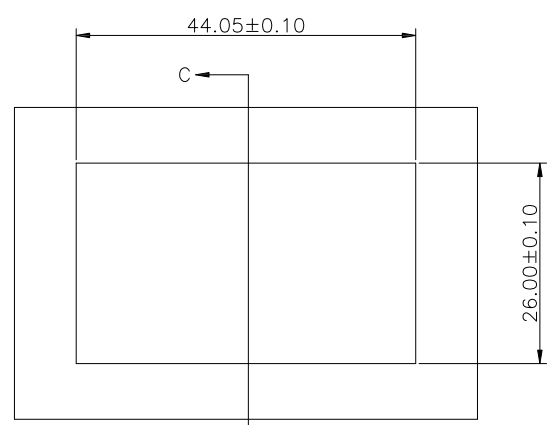


⊗: QUALITY CONTROL ITEM	GENERAL TOLERANCE .X± 0.20 X.'± 2' .XX± 0.15 .X'± 1' .XXX± 0.10	PART NO.: SFPW23-2141-G035-01
APPROVED		TITLE: SFP+ 2X3 PRESS FIT CONNECTOR WITH INNER/OUTER LIGHT PIPES
CHECKED		SCALE: 1:1 SHEET: 2/3 REV.: A.0
DRAWN	UNIT: mm	

SIZE: A4

1 2 3 4 5 6 7 8

F  
E  
D  
C  
B  
A



RECOMMENDED BEZEL DESIGN

REV.	ECN. NO.	DRAWN	DATE	EC.content
A.0	NEW	Candy	12/11/2024	



⊗: QUALITY CONTROL ITEM APPROVED CHECKED DRAWN	GENERAL TOLERANCE .X± 0.20 X:± 2' .XX± 0.15 .X:± 1' .XXX± 0.10		PART NO.: SFPW23-2141-G035-01 TITLE: SFP+ 2X3 PRESS FIT CONNECTOR WITH INNER/OUTER LIGHT PIPES		
	UNIT: mm		SCALE: 1:1	SHEET: 3/3	
			REV.: A.0		

SIZE: A4