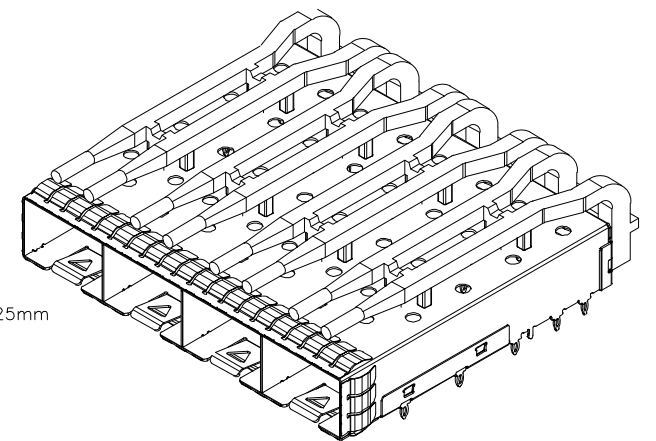
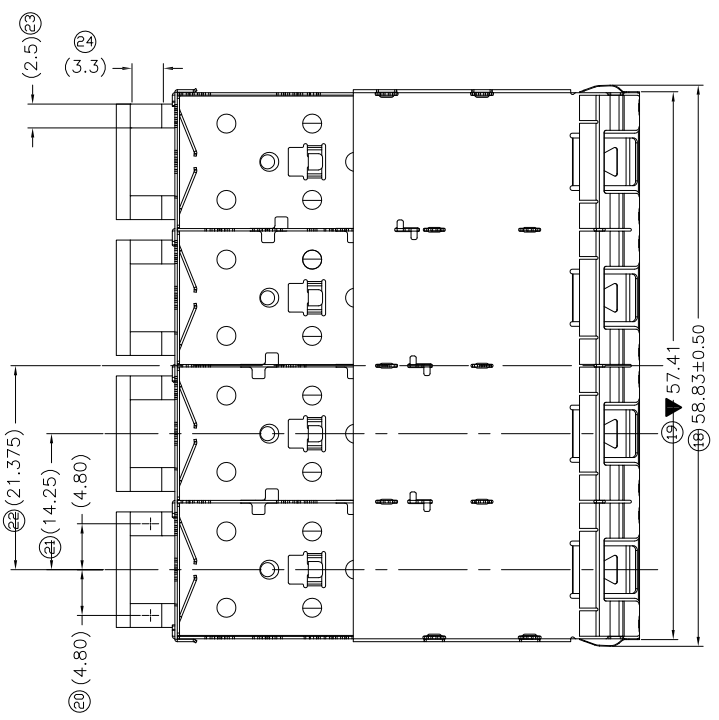
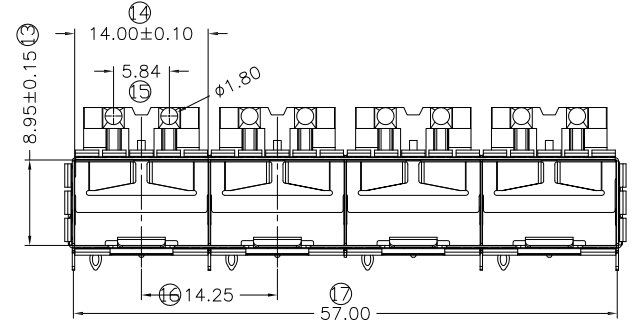
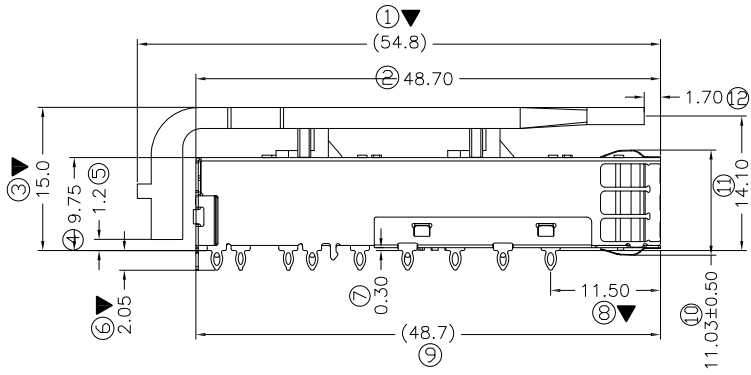


1 2 3 4 5 6 7 8

F  
E  
D  
C  
B  
A

F  
E  
D  
C  
B  
A



NOTES:  
 1.MATERIAL:  
 CAGE: COPPER ALLOY,NI PLATING,THICKNESS 0.25mm  
 MIDDLE CAGE: STAINLESS STEEL  
 LIGHT PIPE: CLEAR POLYCARBONATE  
 2.PACKAGING: TRAY PACKAGING  
 3.TEMPERATURE RANGE:  
 OPERATING : -40°C TO +85°C  
 NON OPERATING : -55°C TO +105°C

S F W 14 - 4 0 1 1 - 2 8 2 N-01  
 流水碼  
 N-鍍銀  
 2-2个导光柱  
 2-洋白銅 C7701  
 1-SFP+  
 1-主外壳  
 4-外壳  
 14-1\*4 PORT

REV.	ECN. NO.	DRAWN	DATE	EC.content
A.0	NEW	Candy	06/07/2023	

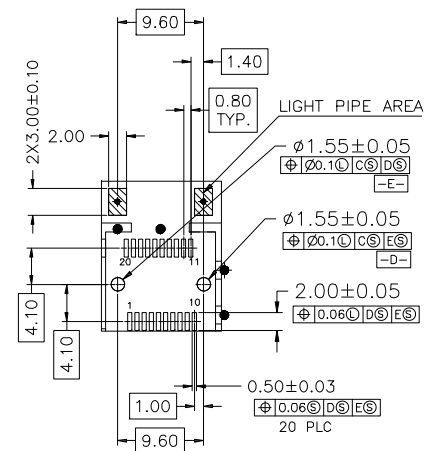
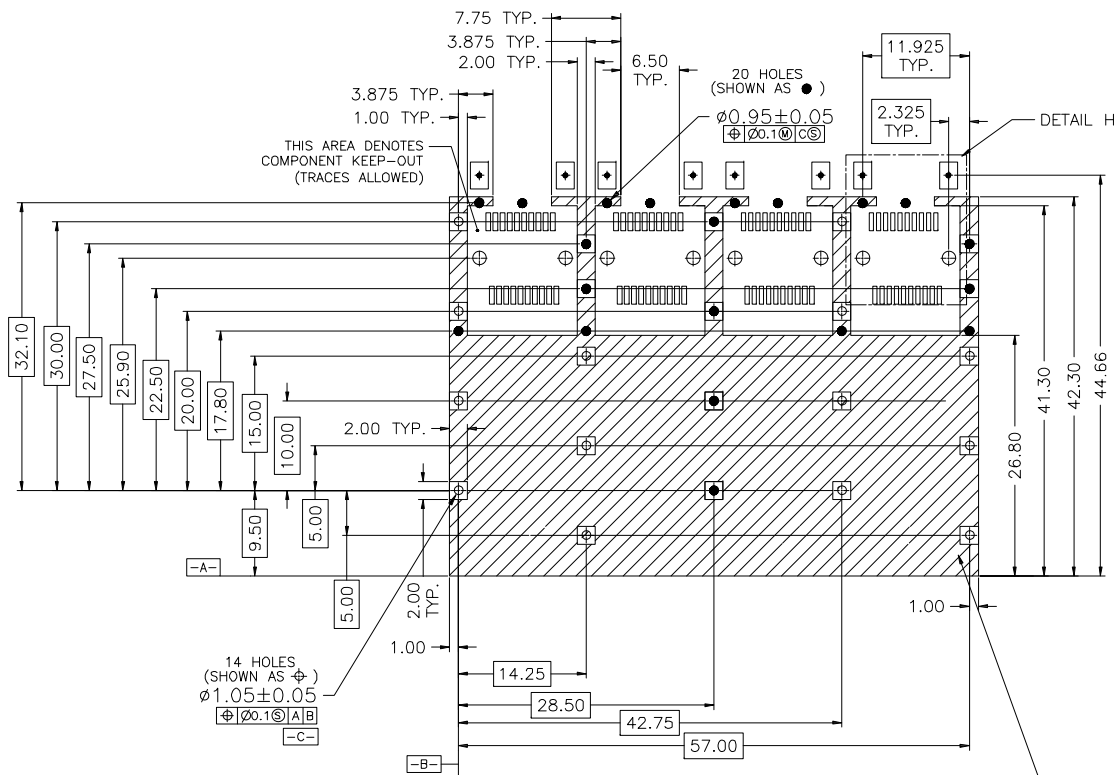


⊗: QUALITY CONTROL ITEM	GENERAL TOLERANCE .X± 0.38 X.*± 2' .XX± 0.25 .X.*± 1' .XXX± 0.13	PART NO.: SFW14-4011-282N-01
APPROVED		TITLE: SFP+ 1X4 CAGE,W/LIGHT PIPE
CHECKED		
DRAWN	UNIT: mm	SCALE: 1:1 SHEET: 1/4 REV.: A.0

1 2 3 說明: △: 備註 ◇: 版本變更 ㉒: 尺寸序號 ■: 重點尺寸 ▼: CPK尺寸 DOCUMENT NO. : ZER0013/A.3

SIZE: A4

RECOMMENDED PCB CONFIGURATION  
WITH KEEP-OUT AREAS  
SINGLE SIDED APPLICATIONS



DETAIL H  
RECOMMENDED CONNECTOR LAYOUT  
4X INDIVIDUALLY

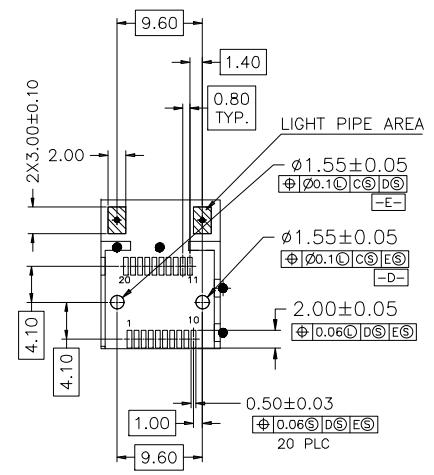
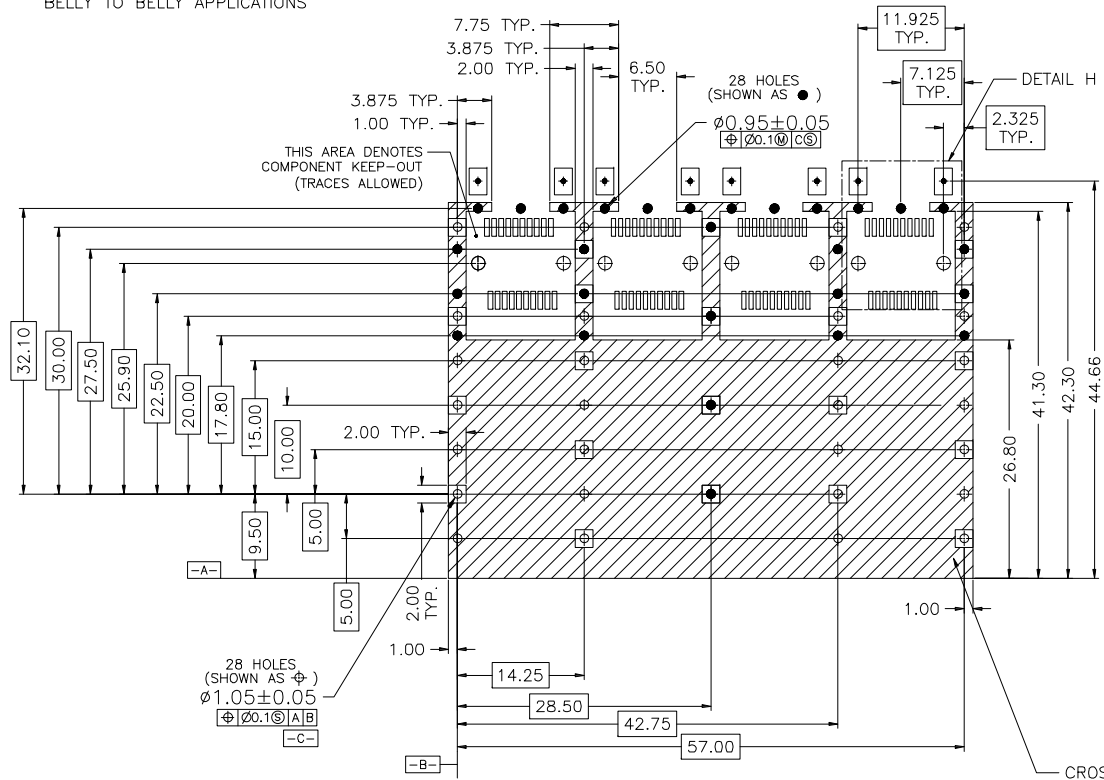
CROSS-HATCHED AREA DENOTES  
COMPONENT AND TRACE KEEP-OUT  
(EXCEPT CHASSIS GROUND)

REV.	ECN. NO.	DRAWN	DATE	EC.content
A.0	NEW	Candy	06/07/2023	



⊗: QUALITY CONTROL ITEM	GENERAL TOLERANCE	PART NO.:
APPROVED	.X± 0.38 X.*± 2*	SFW14-4011-282N-01
CHECKED	.XX± 0.25 .X.*± 1*	TITLE:
DRAWN	.XXX± 0.13	SFP+ 1X4 CAGE,W/LIGHT PIPE
UNIT: mm	SCALE: 1:1	SHEET: 2/4
REV.: A.0		

RECOMMENDED PCB CONFIGURATION  
WITH KEEP-OUT AREAS  
BELLY TO BELLY APPLICATIONS



DETAIL H  
RECOMMENDED CONNECTOR LAYOUT  
8X INDIVIDUALLY

CROSS-HATCHED AREA DENOTES  
COMPONENT AND TRACE KEEP-OUT  
(EXCEPT CHASSIS GROUND)

REV.	ECN. NO.	DRAWN	DATE	EC.content
A.0	NEW	Candy	06/07/2023	



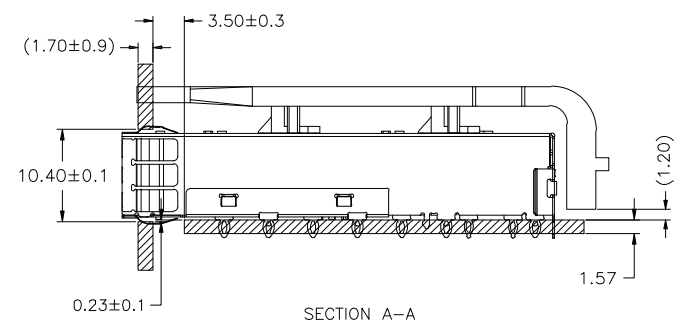
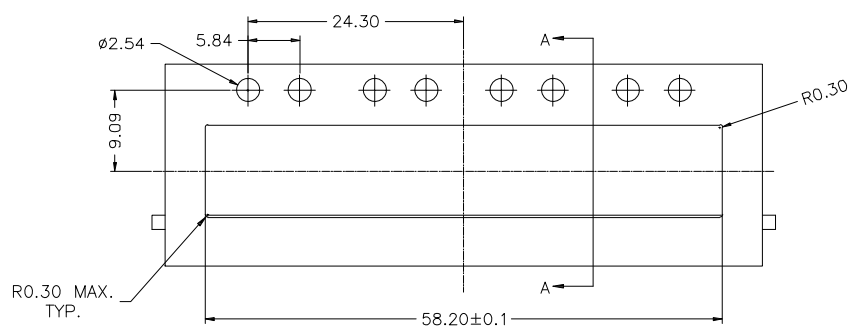
⊗: QUALITY CONTROL ITEM	GENERAL TOLERANCE .X± 0.38 X.'± 2' .XX± 0.25 .X'± 1' .XXX± 0.13	PART NO.: SFW14-4011-282N-01
APPROVED		TITLE: SFP+ 1X4 CAGE,W/LIGHT PIPE
CHECKED		SCALE: 1:1 SHEET: 3/4 REV.: A.0
DRAWN	UNIT: mm	

SIZE: A4

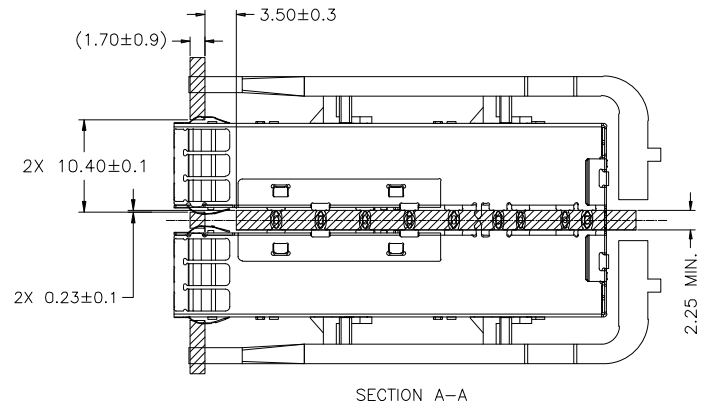
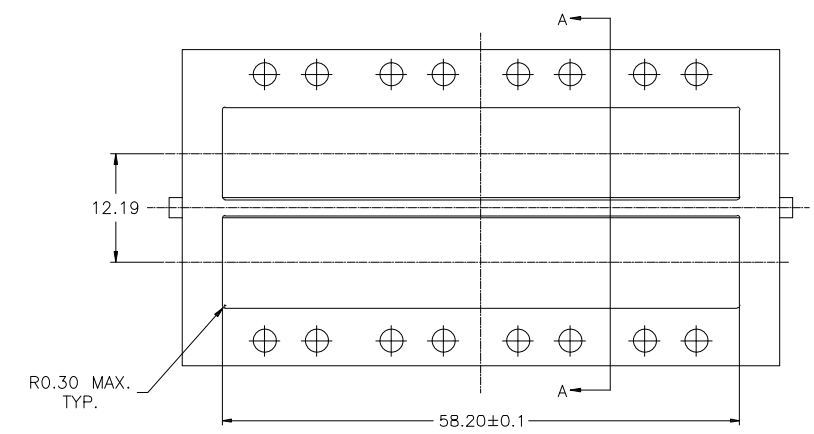
1 2 3 4 5 6 7 8

F  
E  
D  
C  
B  
A

F  
E  
D  
C  
B  
A



RECOMMENDED BEZEL DESIGN  
SINGLE SIDED APPLICATIONS



RECOMMENDED BEZEL DESIGN  
BELLY TO BELLY APPLICATIONS

REV.	ECN. NO.	DRAWN	DATE	EC.content
A.0	NEW	Candy	06/07/2023	



⊗: QUALITY CONTROL ITEM		GENERAL TOLERANCE		PART NO.: SFW14-4011-282N-01	
APPROVED		.X± 0.38	X'± 2"	TITLE: SFP+ 1X4 CAGE,W/LIGHT PIPE	
CHECKED		.XX± 0.25	.X'± 1"		
DRAWN		.XXX± 0.13			
		UNIT: mm		SCALE: 1:1	SHEET: 4/4
				REV.: A.0	

1 2 3 4 5 6 7 8 说明: △: 備註 ◇: 版本變更 (N): 尺寸序號 ■: 重點尺寸 ▼: CPK 尺寸 DOCUMENT NO. : ZER0013/A.3

SIZE: A4