

NOTES:

1. MATERIALS:

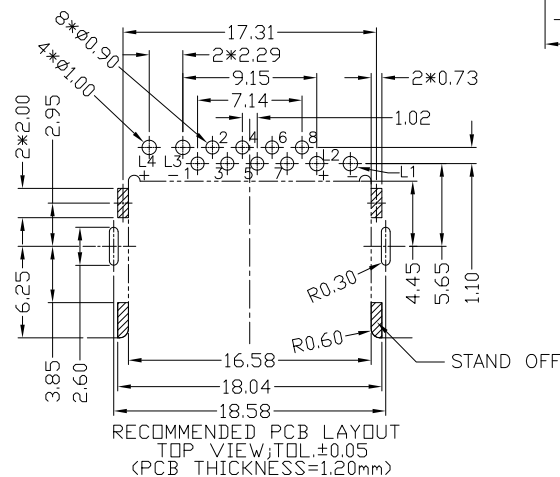
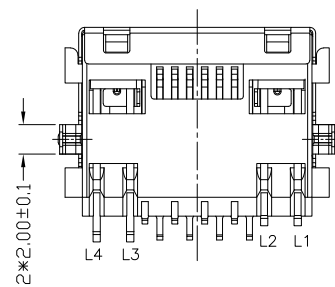
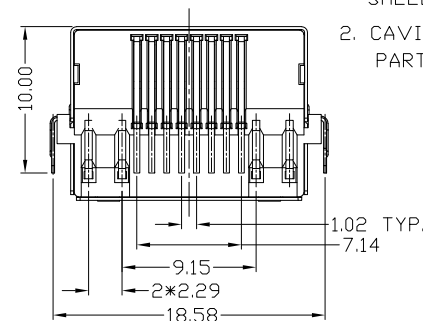
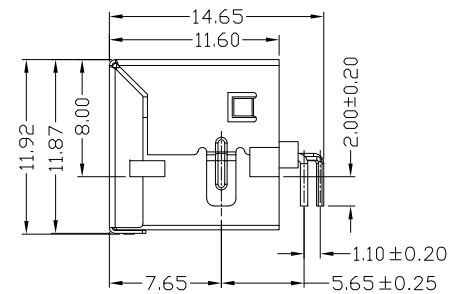
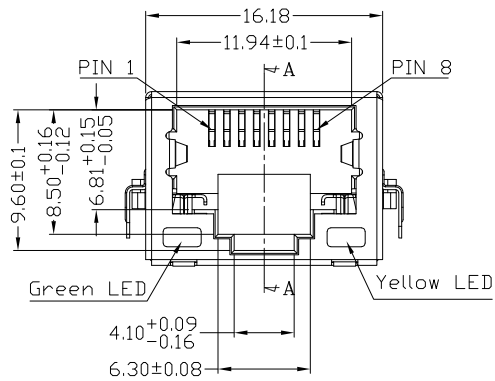
HOUSING: LCP UL94V-0,COLOR BLACK,HF
MIXED GLASS FIBER.

CONTACTS: C5191

GOLD FLASH IN CONTACT AREA, 100u"
min. Sn IN SOLDER TAIL AREA, BOTH
OVER 50u" min. Ni UNDERPLATED
OVERALL

SHELL: SUS 201,30u" min. Ni PLATED

2. CAVITY CONFIRMS TO FCC RULES AND REGULATIONS
PART 68,SUBPART F.



JCB-C D D 4- C 0 2 0
2: 腳長2.00mm

SHELL CODE:
D: W/ SHELL;
W/O SPRING;
W/O"E-CONN"LOGO

LED CODE:
4: LEFT :Green
RIGHT ,Yellow

HOUSING MATERIAL:
D:LCP(HF)

C: GOLD FLASH G/F U''

NOTE	COLOR
L2(+)	L1(-) Yellow
L4(+)	L3(-) Green

⊗: QUALITY CONTROL ITEM	GENERAL TOLERANCE .X± 0.38 X.'± 2' .XX± 0.25 .X'± 1' .XXX± 0.13
APPROVED	
CHECKED	
DRAWN	

UNIT: mm	SCALE: 1:1	SHEET: 1/1	REV.: B.0
----------	------------	------------	-----------

PART NO.: JCB-CDD4-C020
TITLE: JCB RJ45 沉板式 DIP JCB 成品

REV.	ECN. NO.	DRAWN	DATE	EC.content
A.0	NEW	XHTAO	07/26/2013	
B.0	EN1503010	YongDe	03/20/2015	

