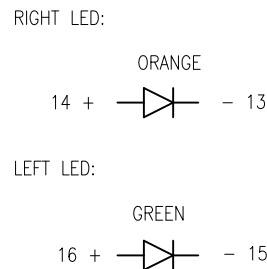
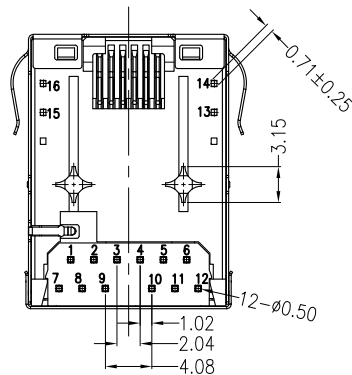
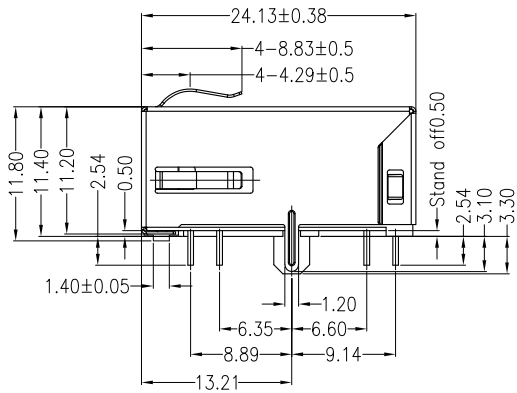
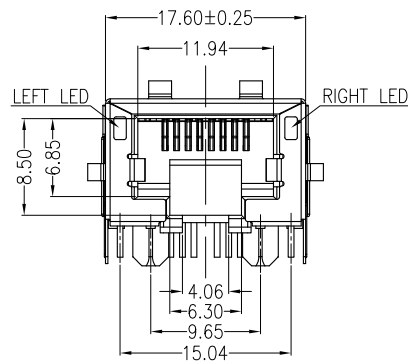
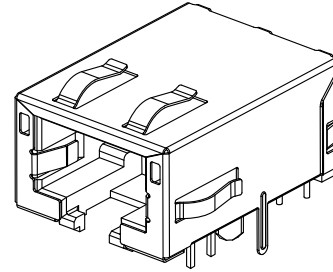
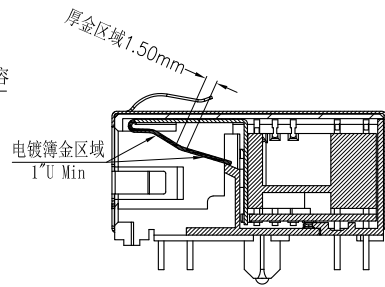
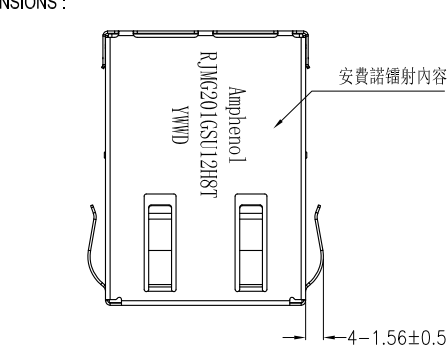
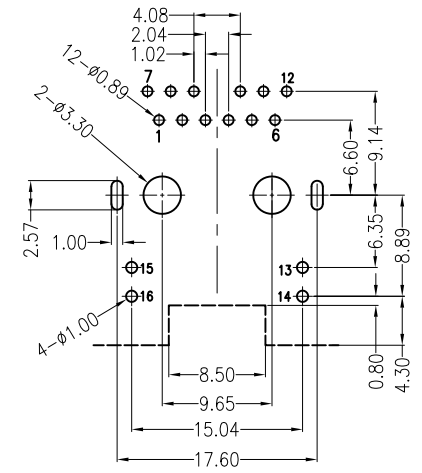


1. MECHANICAL DIMENSIONS :



2. PCB LAYOUT :



PCB LAYOUT TOLERANCE: ±0.05
(TOP VIEW)

NOTES:

- MATERIAL:
HOUSING: LCP, BLACK, UL 94V-0
CONTACT: PHOSPHOR BRONZE, T=0.30mm.
SHELL: BRASS, T=0.20mm.
- FINISH:
CONTACT: 50µ"MIN. NICKEL UNDERPLATING ALL AREA,
100µ"MIN. TIN ON SOLDER TAILS,
6µ"MIN GOLD PLATING ON CONTACT AREA.
SHELL: 30µ"MIN. NICKEL PRE-PLATING ALL AREA.
- OPERATING TEMPERATURE: 0°C ~ +70°C.
- JACK CAVITY CONFORMS TO FCC RULES AND REGULATIONS PART 68, SUBPART F

REV.	ECN. NO.	DRAWN	DATE	EC.content
A.0	NEW	Tony	02/25/2020	
A.1	EN2404009	Andy	04/15/2024	變更窗口底部台阶



⊗: QUALITY CONTROL ITEM		GENERAL TOLERANCE	PART NO.: FDD-CA4T-48C4-A		
APPROVED		.X±0.38 X'±2'	TITLE: RJ45 CONN W/ LED, 12P8C		
CHECKED		.XX±0.25 .X'±1'	100/1000Mbps FILTER		
DRAWN		.XXX±0.13	UNIT: mm	SCALE: 1:1	SHEET: 1/2
			REV.: A.1		

1

2

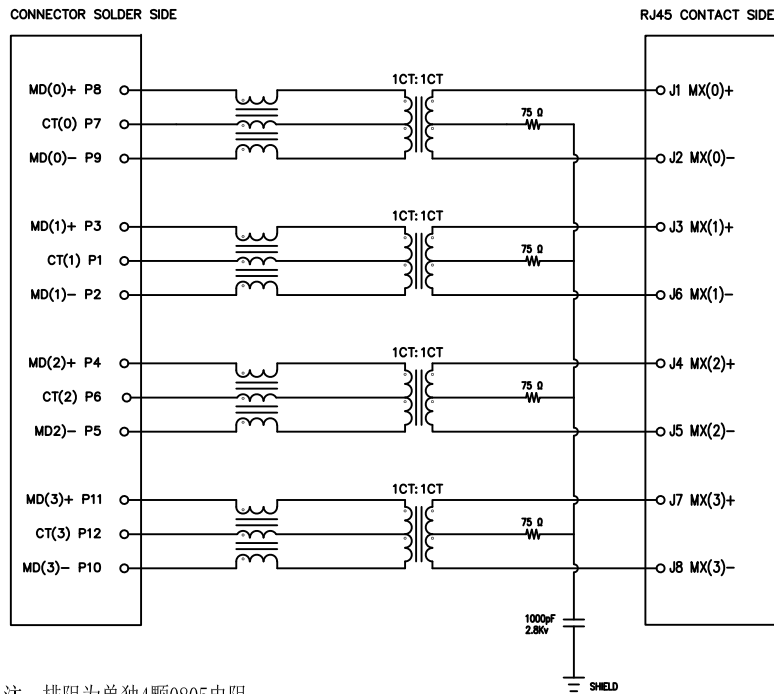
3

說明: △: 備註 ◇: 版本變更 (N): 尺寸序號 ■: 重點尺寸 ▼: CPK尺寸

DOCUMENT NO. : ZER0013/A.3

SIZE: A4

3. SCHEMATIC:



备注：排阻为单独4颗0805电阻。

E-CONN PART NO:

F D D - C A 4 T - 4 8 C 4 - A

优化窗口台阶结构

SHELL CODE ALL SPRING

HOUSING CODE LCP, BLACK

LED COLOR OPTION LEFT LED: GREEN RIGHT LED: ORANGE

CIRCUIT TYPE

PLATING CODE GOLD 6u"

4. ELECTRICAL CHARACTERISTICS :

TEST NOTES:(0°~70°C)

- TR:(100KHZ,0.1V); 100%
PINS:(P8,P9):(J1,J2)=1:1±2%;(P3,P2):(J3,J6)=1:1±2%
PINS:(P4,P5):(J4,J5)=1:1±2%;(P11,P10):(J7,J8)=1:1±2%
- LX:(100KHZ,100mV,8mA, DC Bias) 100%
PINS:(P8,P9),(P3,P2)=360uH MINIMUM
PINS:(P4,P5),(P11,P10)=360uH MINIMUM
- DCR: 100%
PINS:(J1,J2),(J3,J6)=1.2 Ω MAXIMUM
PINS:(J4,J5),(J7,J8)=1.2 Ω MAXIMUM
- HIPO: 100%
PINS(P8,P9)TO(J1,J2),(P3,P2)TO(J3,J6)=1500VAC FOR 60 SECONDS
PINS(P4,P5)TO(J4,J5),(P11,P10)TO(J7,J8)=1500VAC FOR 60 SECONDS
- INSERTION LOSS:
-1.0dB MAXIMUM AT 1MHz TO 100MHz;
- RETURN LOSS:
-18dB MINIMUM AT 1MHz TO 40MHz;
-16dB MINIMUM AT 40MHz TO 60MHz
-12dB MINIMUM AT 60MHz TO 80MHz
-10dB MINIMUM AT 80MHz TO 100MHz
- CROSS TALK:
-30dB MINIMUM AT 1MHz TO 100MHz
- COMMON TO COMMON MODE REJECTION:
-30dB MINIMUM AT 1MHz TO 100MHz
- Surge protection:
IEC 61000-4-5 (Lightning)(1.2/50us)
Line to GND:2KV DC

REV.	ECN. NO.	DRAWN	DATE	EC.content
A.0	NEW	Tony	02/25/2020	
A.1	EN2404009	Andy	04/15/2024	变更窗口底部台阶



⊗: QUALITY CONTROL ITEM		GENERAL TOLERANCE		PART NO.: FDD-CA4T-48C4-A		
APPROVED		.X±0.38	X.*±2'	TITLE:RJ45 CONN W/ LED, 12P8C		
CHECKED		.XX±0.25	.X*±1'	100/1000Mbps FILTER		
DRAWN		.XXX±0.13		UNIT: mm	SCALE: 1:1	SHEET: 2/2
						REV.: A.1